



U.S. PATENT# 7,783,018



Alpha Communications® and Alpha Media®, Inc.

AlphaEntry™ 3.1

With QwikBus™ Integration & MailRoom™ Software

Installation & Configuration Manual



42 Central Drive
Farmingdale, NY 11735-1202
Phone: 631-777-5500 Fax: 631-777-5599

Copyright© 2005-2010 Alpha Communications® All Rights Reserved.

AE3.1 Manual Rev. 1.0 (01/11)

LICENSE AGREEMENT

ALPHA MEDIA, INC. ALPHAENTRY™, ALL VERSIONS, AND SOFTWARE RELATED COMPONENTS. END-USER LICENSE AGREEMENT FOR ALPHA MEDIA, INC. SOFTWARE

IMPORTANT-READ CAREFULLY: This Alpha Media, Inc. End-User License Agreement ("EULA") is a legal agreement between you (either an individual or a single entity) and Alpha Media, Inc. Corporation for the Alpha Media, Inc. software product(s) identified above which may include associated software components, media, printed materials, and "online" or electronic documentation ("SOFTWARE PRODUCT"). By installing, copying, or otherwise using the SOFTWARE PRODUCT, you agree to be bound by the terms of this EULA. If you do not agree to the terms of this EULA, do not install or use the SOFTWARE PRODUCT.

The SOFTWARE PRODUCT is protected by copyright laws and international copyright treaties, as well as other intellectual property laws and treaties. The SOFTWARE PRODUCT is licensed, not sold.

1. GRANT OF LICENSE. The SOFTWARE PRODUCT is licensed as follows:"

* Installation and Use. Alpha Media, Inc. grants you the right to install and use copies of the SOFTWARE PRODUCT on your computers running validly licensed copies of the operating system for which the SOFTWARE PRODUCT was designed [e.g., Windows2000®; Windows 2003 Server®; Windows XP®; Windows Vista®]."

* Backup Copies. You may also make copies of the SOFTWARE PRODUCT as may be necessary for backup and archival purposes.

* Components. Certain software components of the SOFTWARE PRODUCT are subject to the following additional provisions:

2. DESCRIPTION OF OTHER RIGHTS AND LIMITATIONS.

* Maintenance of Copyright Notices. You must not remove or alter any copyright notices on all copies of the SOFTWARE PRODUCT.

* Distribution. You may not distribute copies of the SOFTWARE PRODUCT to third parties.

* Prohibition on Reverse Engineering, Decompilation, and Disassembly. You may not reverse engineer, decompile, or disassemble the SOFTWARE PRODUCT, except and only to the extent that applicable law notwithstanding this limitation expressly permits such activity.

* Rental. You may not rent, lease, or lend the SOFTWARE PRODUCT.

* Transfer. You may permanently transfer all of your rights under this EULA, provided the recipient agrees to the terms of this EULA.

* Support Services. Alpha Media, Inc. may provide you with support services related to the SOFTWARE PRODUCT ("Support Services"). Use of Support Services is governed by the Alpha Media, Inc. policies and programs described in the user manual, in "on line" documentation and/or other Alpha Media, Inc.-provided materials. Any supplemental software code provided to you as part of the Support Services shall be considered part of the SOFTWARE PRODUCT and subject to the terms and conditions of this EULA. With respect to technical information you provide to Alpha Media, Inc. as part of the Support Services, Alpha Media, Inc. may use such information for its business purposes, including for product support and development. Alpha Media, Inc. will not utilize such technical information in a form that personally identifies you, without your permission.

* Compliance with Applicable Laws. You must comply with all applicable laws regarding use of the SOFTWARE PRODUCT.

3. TERMINATION. Without prejudice to any other rights, Alpha Media, Inc. may terminate this EULA if you fail to comply with the terms and conditions of this EULA. In such event, you must destroy all copies of the SOFTWARE PRODUCT.

4. COPYRIGHT. All title, including but not limited to copyrights, in and to the SOFTWARE PRODUCT and any copies thereof are owned by Alpha Media, Inc. or its suppliers. All title and intellectual property rights in and to the content which may be accessed through use of the SOFTWARE PRODUCT is the property of the respective content owner and may be protected by applicable copyright or other intellectual property laws and treaties. This EULA grants you no rights to use such content. All rights not expressly granted are reserved by Alpha Media, Inc.

5. U.S. GOVERNMENT RESTRICTED RIGHTS. The SOFTWARE PRODUCT is provided with RESTRICTED RIGHTS. Use, duplication, or disclosure by the Government is subject to restrictions as set forth in subparagraph (c)(1)(ii) of the Rights in Technical Data and Computer Software clause at DFARS 252.227-7013 or subparagraphs (c)(1) and (2) of the Commercial Computer Software Restricted Rights at 48 CFR 52.227-19, as applicable. Manufacturer is Alpha Media, Inc. 42 Central Drive, Farmingdale, NY 11735-1202.

6. EXPORT RESTRICTIONS. You agree that you will not export or re-export the SOFTWARE PRODUCT to any country, person, entity or end user subject to U.S.A. export restrictions. Restricted countries currently include, but are not necessarily limited to Cuba, Iran, Iraq, Libya, North Korea, Sudan, and Syria. You warrant and represent that neither the U.S.A. Bureau of Export Administration nor any other federal agency has suspended, revoked or denied your export privileges.

7. NO WARRANTIES. Alpha Media, Inc. expressly disclaims any warranty for the SOFTWARE PRODUCT. THE SOFTWARE PRODUCT AND ANY RELATED DOCUMENTATION IS PROVIDED "AS IS" WITHOUT WARRANTY OF ANY KIND, EITHER EXPRESS OR IMPLIED, INCLUDING, WITHOUT LIMITATION, THE IMPLIED WARRANTIES OR MERCHANTABILITY, FITNESS FOR A PARTICULAR PURPOSE, OR NON-INFRINGEMENT. THE ENTIRE RISK ARISING OUT OF USE OR PERFORMANCE OF THE SOFTWARE PRODUCT REMAINS WITH YOU. THIS SOFTWARE IS DISTRIBUTED ON A FREE 90-DAY TRIAL BASIS. IT IS THE CUSTOMER'S RESPONSIBILITY TO FULLY USE AND TEST THIS SOFTWARE, BEFORE PURCHASING, TO DETERMINE IF THE SOFTWARE MEETS THE CUSTOMER'S NEEDS, AND PERFORMS TO THE CUSTOMER'S 100% SATISFACTION. IF IN ANY WAY THE SOFTWARE IS UNSATISFACTORY OR IS NON-FUNCTIONING, THE CUSTOMER SHALL NOT REGISTER OR PAY FOR THE SOFTWARE. ONCE THE CUSTOMER REGISTERS OR PAYS FOR THE SOFTWARE, THE CUSTOMER HAS ACCEPTED THE SOFTWARE "AS-IS" AND WILL NOT BE ENTITLED TO ANY REFUND OR COMPENSATION OF ANY KIND.

8. LIMITATION OF LIABILITY. To the maximum extent permitted by applicable law, in no event shall Alpha Media, Inc. or its suppliers be liable for any special, incidental, indirect, or consequential damages whatsoever (including, without limitation, damages for loss of business profits, business interruption, loss of business information, or any other pecuniary loss) arising out of the use of or inability to use the SOFTWARE PRODUCT or the provision of or failure to provide Support Services, even if Alpha Media, Inc. has been advised of the possibility of such damages. In any case, Alpha Media, Inc.'s entire liability under any provision of this EULA shall be limited to the replacement of any registered software that has been determined by Alpha Media Inc. to be defective. Because some states and jurisdictions do not allow the exclusion or limitation of liability, the above limitation may not apply to you.

9. MISCELLANEOUS.

This EULA is governed by the laws of the State of New York, U.S.A.

Should you have any questions concerning this EULA, or if you desire to contact Alpha Media, Inc. for any reason, please contact the Alpha Media, Inc. subsidiary serving your country, or write: Alpha Media, Inc., 42 Central Drive, Farmingdale, NY 11735-1202. You may contact us by phone at 631-777-5500 or fax at 631-777-5599 or by email at info@alphamedia.net

Table of Contents



U.S. PATENT# 7,783,018

CHAPTER 1 – The Software

Introduction	1
System Requirements	2
Installing AlphaEntry™ Software	3
What is a Dongle?	4
Starting AlphaEntry™	4
Exiting AlphaEntry™	4

CHAPTER 2 – Basic User Operation

The Visitor Touchscreen Interface	5
The Concierge/Doorman Touchscreen Interface	6
The Emergency, Off Premises, Staff/Other Tabs	6
The Switch Console	6
Qwik ID – Caller Identification	7
Call Forwarding/ Interception	8
Package Tracking	9
Using a conventional PC Keyboard	12
Administrator Shortcuts	12

CHAPTER 3 – The Editor – System Configuration

The AlphaEntry™ Editor V3.1	13
Programming and System Configuration	14
Creating System Security Codes	14
The Main Editor Screen	17
Explanation of Editor On Screen Buttons	18
Configuring Entries and Masters (Main Screen)	19
Entry Setup Settings (1 st Tab)	20
Modem & Port Settings (2 nd Tab)	23
Relay Board(s) (3 rd Tab)	24
Optional Relay Call Button	25
Welcome Screen Settings (4 th Tab)	26
Scheduled Welcome Screen	27
DTMF Phone Code Settings (5 th Tab)	28
Option Settings (6 th Tab)	30
Resident Access Settings (7 th Tab)	32
Switch Console Configuration (8 th Tab)	33
Camera Configuration (9 th Tab)	35
Adding Additional Cameras	36
Email Notification (10 th Tab)	37
Package Tracking Configuration – The MailRoom Tab	38

CHAPTER 4 - The Editor – Data Entry

Entering Contact Information	40
Editor Global Function Buttons	41
Import Residents from a File	41
Exporting Residents to a File	42
Adding Blank Residents Records to the Database	42
Creating an STR device report file	42
Adding, Editing, Deleting Contact Data	43
Adding a New Resident	43
Hiding a Listing	43
Priority Listings	43
Resident Email Address	43
Assigning Call Buttons	44
Entering Resident Phone Numbers	45
Entering Resident No Phone Bill Codes	45
Entering Resident “No Phone Service” Information	46
Entering Resident Intercom Relay Information	46
Entering STR QwikBUS™ Intercom Information	47
Linking a QwikBUS™ Apt. Station to a TT33-2 Entry	48
Selecting Display Locations for a Resident	48
Assigning Resident Access Codes	49
Entering Resident Notes	50
Entering Resident Pictures	50
Resident Notification for Package Arrival	51
Resident Screen Search Feature	52
Entering Emergency Contact Information	52
Entering Off Premises Information	53
Entering Staff/Other Contact information	53
CHAPTER 5 -The STR QwikBUS™/AlphaEntry™ Interface	54
STR Configuration (11 th Tab)	54
Setting Concierge VOX Sensitivity	55
Optional S1 & S2 Inputs	57
Configuring the S1 & S2 Inputs	57
Resident Restrictions Screen	62

CHAPTER 6 – AlphaEntry™ MailRoom™	
Introduction	63
Starting MailRoom™	64
Ending MailRoom™	64
Editor Configuration	65
Information Refresh Rate	66
Display Background Settings	67
Specifying Delivery Types	67
Weather Information Settings	68
MailRoom™ Messages	68
CHAPTER 7 – AlphaEntry™ Paging Interface	69
CHAPTER 8 – QwikBus™ Door Monitoring	70
CHAPTER 9 – Wiring Diagrams	72
Lobby Configurations	
Handset - Standard Dialer	73
Handset - Standard Dialer w/ N.P.S.	74
Handset - No Phone Bill	75
Handset - No Phone Bill w/ Outside Dialing	76
Open Voice - Standard Dialer	77
Open Voice - Standard Dialer w/ N.P.S.	78
Open Voice - No Phone Bill	79
Open Voice - No Phone Bill w/ Outside Dialing	80
Concierge Configurations	
Standard Dialer – Various Configurations	81
No Phone Bill - Unrestricted Outside Dialing	82
No Phone Bill - Limited Outside Dialing	82
Information on Open Voice Configurations	82
QwikBUS™ System Configurations	
AlphaEntry™ QwikBUS™ Wiring Example	83
Apartment Emergency Device Wiring Examples	84
Appendices	
A. Creating Your Own Custom Graphics	86
B. The Event Log Viewer	87
C. Speaker/Mic Module Adjustments	88
D. Accessing the AlphaEntry™ SQL Server Database Remotely	89
E. Using AlphaEntry™ through a PBX system	90
F. Windows Firewall Exceptions	91

Introduction

AlphaEntry™ is a computerized directory display system that provides resident information and communication ability literally at your fingertips. There are different ways to configure AlphaEntry™ depending on your building's specific needs.

As a lobby panel, AlphaEntry™ provides features for visitors to call a resident or commercial resident through an interactive touch screen panel and can be buzzed in by the resident. Visitors are assisted through multi-lingual voice and screen prompts. AlphaEntry™ will also allow quick resident access with personal entry codes.

When used by a Concierge, AlphaEntry™ adds additional features to allow a Concierge or Doorman to easily obtain contact information and place a call to the desired resident's intercom, telephone, cell phone, or work number using either a touchscreen or a conventional flat screen monitor and mouse. As a concierge station, emergency numbers, frequently called numbers at off premises locations, and facility staff or locations can also be immediately accessed. You can have the ability to control lobby lights, taxi lights, gates, elevator calls, cameras, or any other device that uses a momentary or latching dry contact closure to operate (for safety considerations this feature is not recommended for unsupervised garage door opening or closing). Calls to the concierge telephone (if equipped with caller ID and a CID capable modem) features on-screen QwikID™, which not only displays the calling number, but also will search the resident database to show the residents name and apartment. QwikID™ allows handy one touch call back and automatic received call logging.

AlphaEntry™ also enables you to manage your resident's package deliveries, logging both delivery and pick up time/date, and notifying your residents at the lobby panels, and/or by email or text messaging, depending on configuration. AlphaEntry™ MailRoom™ is an optional add-on that will allow you to have displays in your mailroom(s) to let your residents know they have received packages as well as view building announcements, local weather forecasts, and more.

AlphaEntry™ can be configured to allow your residents to notify a concierge, security guard, or main office in the event of an emergency by using optional emergency voice call stations or other devices in their residence. These features are invaluable in an Assisted Living scenario.

All these available features can be enabled or disabled in the AlphaEntry™ Editor to customize the application to suit your facility's unique needs and security issues.

With a simple network and/or internet connection, AlphaEntry™ is multi-building capable, and allows a virtually unlimited number of buildings, entrances, concierges, and residents all working from a common database so that information updates and resident changes can be accomplished quickly and easily from any location. With AlphaEntry's online resident interface, residents can update their phone and contact information, change their personal access codes, see when packages have arrived for them, and change their notification options. With the optional AlphaEntry™ Client software or the AlphaEntry™ iPhone App, the residents can even watch live video from the building entry to verify a visitor before allowing them access to the building.

AlphaEntry™ software can be used as a standard dialer telephone entry system, "No Phone Bill" type telephone entry system, and interface to virtually any new or existing intercom system, ALL AT THE SAME TIME, giving you the best of all worlds and ultimate connectivity!!

System Requirements

The following system requirements must be met to run the AlphaEntry™ 3.1 application correctly.

- A Windows compatible PC with mouse, hard drive, CD or DVD player
- Pentium 4 Processor or Higher
- Operating system must be Windows XP, Vista, or Windows 7
- Color monitor or color touch screen monitor (standard or widescreen format)
- 1 GB of Ram (minimum)
- One Available USB port (for USB Dongle)
- USB Dongle (provided with AlphaEntry™ software)

Requirements for optional features:

- One additional USB port (if Touch screen is being used)
- One available serial port or additional USB port with serial adapter (if relay boards will be used).
- CallerID capable Modem, Dedicated Phone Line, and Concierge Handset, Lobby Handset, or Lobby Open Voice Module are required to call to Suites.
- Camera for Optional Event Log still pictures.
- USB Grabber video converter if using a coax type camera.
- Additional equipment may be required for special customized applications. Please contact Alpha Communications for more information.
- Internet or LAN connection for remote updating and multiple entrance applications.
- Internet connection to allow residents to access AlphaEntry™ to update their information and preferences.

For additional requirement information for the optional AlphaEntry™ MailRoom™ add-on, please refer to the AlphaEntry™ MailRoom™ manual.

IMPORTANT SYSTEM NOTES

To prevent conflicts between AlphaEntry™ and other installed software, it is highly recommended that the computer be used exclusively for AlphaEntry™ and not loaded with any additional software or used for any other purposes, with the exception of additional Alpha Media products designed to work in conjunction with AlphaEntry™. In addition, all screen savers and system power management/ hibernation options should be disabled.

To ensure system reliability and longevity, please check that all hardware is installed and configured as per manufacturer's recommendations and manufacturer's distance limitations and cabling requirements are observed.

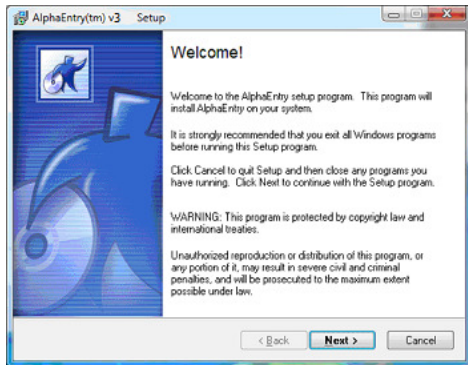
When planning your installation, consider distance limitations, and potential electromagnetic interference (EMI) sources.

It is recommended that a quality Battery back up/surge protector/ power filter be used for all devices and components connected to 110VAC power.

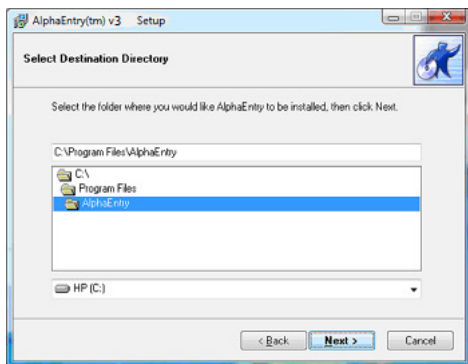
AlphaEntry systems being used for emergency call, door monitoring, or any other critical application should have their devices tested for proper operation monthly.

Installing AlphaEntry™3.1 Software

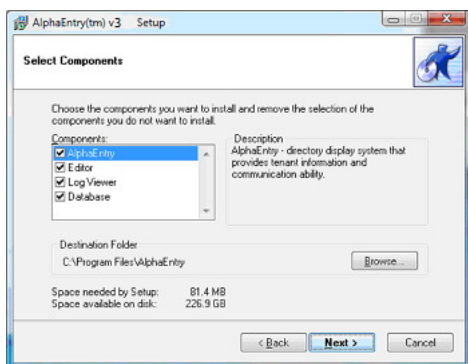
Do not insert the USB Dongle until the software setup is complete!!



To begin the installation of AlphaEntry™, please insert the CD into a CD-Rom drive. The installation wizard will guide you through the process of installation.

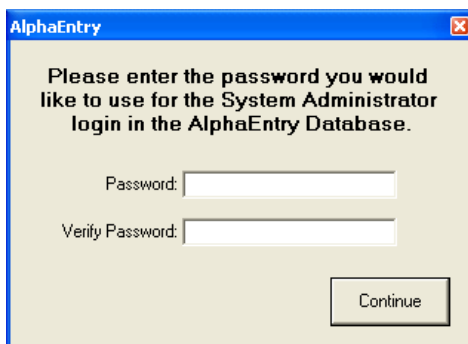


Alpha Media, Inc. recommends that AlphaEntry™ be installed in the default directory (C:\Program Files\AlphaEntry\).



Check the box for each component you will be installing at this Entry/Master.

- AlphaEntry™ Entry/Master Software
- Editor For Configuring and Data entry
- Log Viewer To view real time event information
- Database This machine will be the System Server



This password will be needed whenever making a new connection to the AlphaEntry database. This password can be any combination of alphanumeric characters (A-Z, 0-9), and is case sensitive.

Once the software has completed the installation process, click the “Finish” button to close the installation program.

On the initial start of AlphaEntry™, you will be asked if you wish to use the demo database or start with a clean database. In a facility installation, you will want to start with a clean database and enter real information for that facility but if using a computer for a demo, you may wish to use and/or modify the provided demo database. If you choose to use the demo database initially to acquaint your staff with the editing procedures, you may clear the demo database before entering your own information.

After the installation is complete, you will be instructed to insert the USB Dongle into any one of the USB ports on that computer. The dongle is not required for use of the Editor or Log Viewer.

If a dongle is not installed, AlphaEntry™ will operate in Demo Mode, which will allow full functionality for a period of 30 minutes and then require a restart. The Demo Mode is only allowed 200 starts.

When in Demo Mode, the main screen will show DEMO Mode in the upper right corner and will indicate the number of starts used.

Do not insert the USB Dongle until the software setup is complete!!

What is a Dongle?



A Dongle (pronounced DONG-uhl) is a mechanism for ensuring that only authorized users can use specific software applications. This is your software key that plugs into an available USB port on your computer. Like a key, no two Dongles are alike.

The AlphaEntry™ program accesses this key for verification while running. Removing this key while using AlphaEntry™ will not allow the program to run, but will allow you to use the AlphaEntry™ Editor.

If for any reason your Dongle is lost or damaged, you must obtain another from Alpha Communications®.

Starting AlphaEntry™

To start AlphaEntry™, Double Click on the AlphaEntry icon on the screen desktop.

Exiting AlphaEntry™

To exit AlphaEntry™, use the keyboard to spell out the word **EXIT**, then click the **Reset** button.

If a password has been set, you will be prompted to enter the appropriate password.

Enter the password and click OK. This will bring you to the Windows desktop.

To restart AlphaEntry™, double click the desktop icon.

AlphaEntry™ User Operation

The Visitor Touchscreen Interface

AlphaEntry™ has many available options. The administrator's configuration determines which options are to be used at each entry. The description below assumes all available options are enabled.

When a visitor approaches the entrance panel, they will see a welcome message displaying the building name and address. Centered on the welcome screen is a prompt that reads: **“Touch Screen to View Directory”** in the default language. Below the prompt, buttons listing the other available languages are displayed. If the visitor wishes to see and hear the prompts in one of the other languages they can touch one of the language option buttons and the welcome screen will immediately change to the language of their choice. At the end of their session, the screen will revert to the default language predetermined by the administrator.

AlphaEntry™ comes with English, French, German, Russian, and Spanish languages installed to accommodate different markets. Other language modules are available at additional cost.

After touching the screen to initialize a session, the directory screen will display accompanied by onscreen and voice prompts in the requested language. Residents and/or commercial residents will display in alphabetical order; residents by last name, companies by special order determined by the administrator (ex: Dr. William Gold D.D.S. could be alphabetized by “G”). The up and down arrow buttons can be used to scroll the listing, or the visitor can touch letters or numbers to search. All listings of the last name, company, or suite number that match the entered letter(s) will display. If a match is not found, the screen will reset and the visitor can try again.

When a name is selected, the call box will display and list the available contact method(s). At this time the visitor can press the call button to call the resident or press the Cancel button to return to the Directory screen. After a predetermined time, the directory will close and revert back to the screen saver/ slideshow image(s).






When the call is placed, a countdown timer is displayed to inform the visitor how much time they have before the call is automatically ended. The administrator determines the call duration. In a large system with multiple entries and heavy traffic, this call time can be made shorter to reduce wait time. In a small single entry system a call timer may not be required. All visitors that are waiting at any entry panel for a call to go through are put in a first come - first served queue and given an indication of approximate wait time for the system to be available. In the event of a Standard Dial Telephone Entry configuration, a heavy traffic system can use separate C.O. lines for each panel to reduce or eliminate wait time.

When the call is answered, the resident has the capability to “buzz” the door by pressing a single touchtone digit on their phone, or pressing the door release button on their intercom after which time the AlphaEntry™ session will end automatically.

The Doorman/ Concierge Interface

AlphaEntry™ has many available options. The administrator’s configuration determines which options will be available to the Doorman/ Concierge. The description below assumes all available options are set on.

As in the preceding section, the Doorman/Concierge can place a call to a resident and operate the interface the same as a visitor, using a touch screen or a standard flat screen monitor with mouse. A keyboard is not required unless data editing will be done at this location (an on-screen keyboard utility is available for minor changes when using the Editor). Additional resident call buttons can be made visible to allow the Concierge to contact the resident through a cell phone, home number, or work number in the event of an emergency. Buttons displayed for resident are configurable in the Editor – Setup tab (*see Pg 21*). Additionally, icons may also be displayed for residents. They are defined below. Icons displayed for resident are configurable in the Editor – Setup tab (*see Pg 20*).

	NOTES ICON	Clicking this icon will display any stored notes pertaining to this resident. These notes are read only and can only be changed in the Editor.
	PICTURE ICON	There is a picture on file of the resident, which can be viewed by clicking that icon.
	MESSAGE ICON	A text message can be sent to this Staff member’s or resident’s cell phone and/or email. Clicking on this icon will open the messaging window. Staff member paging can also be accessed here. Paging can only be sent from the PC with the paging transmitter attached at this time.
	PACKAGE ICON	This resident has a package to be picked up. The number below the icon indicates the number of packages (<i>see Pg. 9 for more details</i>).
	KEY ICON	This resident has the door monitor option (<i>see Pg. XX for more details</i>).

All calls made by the Concierge through AlphaEntry™ are logged and the numbers are not displayed on screen to maintain resident privacy. The Concierge can be equipped with a phone that can dial out for calls not listed, or be restricted only to AlphaEntry™ listings.

Emergency, Off Premises, Staff/Other Tabs

In addition to the regular directory screen, tabs can be turned on for emergency phone contacts and off premises listings enabling the Concierge to place calls from AlphaEntry™ as easily as contacting residents. The “Staff/Other” tab can be used to have call buttons for all personnel or locations (i.e.: restaurant, garage, pool, housekeeping, etc.) for quick and easy communication. All these tabs can be enabled/disabled separately in the Editor – Options tab (*see Pg. 30*).

The Switch Console

Also designed for Concierge use is the Switch Console, which enables AlphaEntry™ to control lighting, taxi lights, doors, cameras, elevator calls, or other devices. Each switch can be configured to operate a controlling relay as either a latching On/Off switch (Push On, Push Off), or a timed momentary contact switch (Push On, Shuts off automatically after a specified time from 0.1 seconds to more than 24 hours). Active switches are indicated by pilot lights. Switches are configured in the Editor – Switch Console tab (*see Pg. 32*).

QwikID™ Caller Identification

When the concierge is equipped as a standard dialer system and the dedicated phone line is equipped with Caller ID and a CID capable modem, any call placed from a resident (ring down) or outside caller to the concierge will display on screen with QwikID™ unless this feature has been disabled in the editor. If the caller has blocked the CID information from displaying, then QwikID™ will indicate that the information was not available.

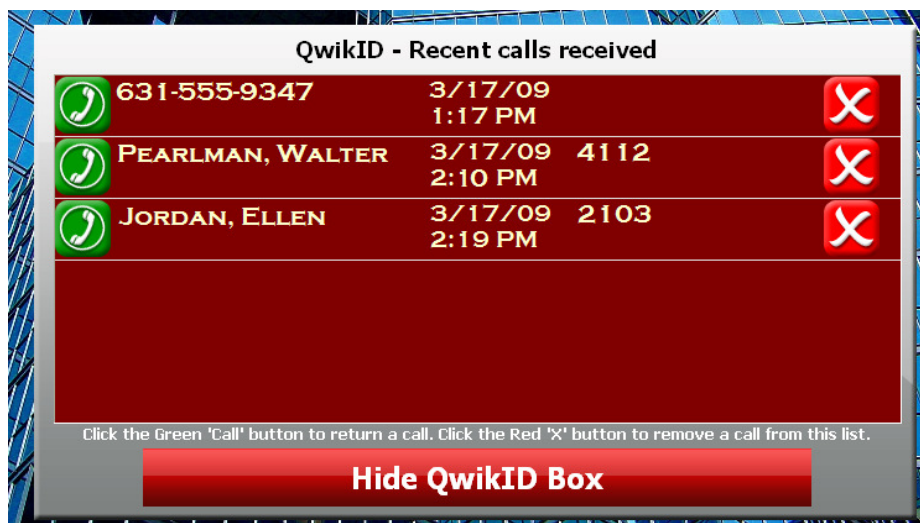
The feature works similarly to Caller ID, displaying the number and name of the calling party (if available through the caller ID information). When a call is received, QwikID™ searches the AlphaEntry™ database. If the calling number matches a resident phone number in the database, the resident name and suite information is added. The actual resident phone number is not displayed to insure privacy. In addition, the call is time and date stamped. All incoming calls are added to an on-screen list which can be viewed by the concierge (to remind him of the call in case follow-up is necessary). The calls are also added to the system log. If an incoming number is not in the AlphaEntry™ database, the phone number will be displayed and recorded as well, providing Caller ID information is available.

Clicking on the green call button will automatically redial the calling number providing the Caller ID information is available.

Clicking on the red “X” button will remove the call from the list. A record of the call will be added in the log.

If the resident calling in has an associated picture in the system, the picture will pop up on the screen as well, to aid in concierge recognition of the resident.

NOTE: If your system has the optional STR QwikBus™ interface, call down to the concierge will also display in the QwikID window in a similar manner, but with an intercom icon and additional features. Please see Pg. 53 for more information.





NOTE: It is recommended that if a resident has blocked their outgoing Caller ID information and uses a speed dialer to call the concierge, they preface the number with *82 to temporarily unblock their Caller ID information so their identity will be available to the system.

To disable this feature, uncheck the Enable QwikID box located on the Editor - Modem tab (see pg.23).

Call Forwarding

This AlphaEntry™ feature allows a concierge to intercept calls from an entrance when they are either screening visitors or wish to prevent calls from the entries to the residents at a time when their residents would not want to be disturbed.

If this feature has been enabled by the administrator, There will be a button at the top right of the concierge screen which when clicked will alternate between  ON and  OFF.



When this feature is on, all entries that have been enabled by this feature will operate in this manner:

Visitor selects resident he wishes to call.

The call is automatically routed to the concierge.

The information pops up on the concierge screen identifying the calling entry as well as the information for the resident that the visitor wishes to contact.

At this point the concierge can speak with the visitor, contact the resident for instructions if necessary, and can open the door through the switch console to allow the visitor access.



AlphaEntry™ will operate in its normal fashion with visitors calling directly to the residents with no intervention from the concierge.

Please Note: This feature is designed for AlphaEntry™ lobby touch screens with Standard or No Phone Bill telephone entry style only.

If a resident wishes to always have his calls go to the concierge, then his contact button in his record should contain the concierge's phone number and the concierge can contact the resident for instructions through a second button on the concierge screen. The concierge, however, will not have an indication of whom the visitor wishes to contact, and must obtain this information from the visitor.

Package Tracking Feature

One of the many headaches of building management is keeping track of incoming deliveries to your residents, notifying them, and keeping track of which packages have not been picked up yet.

AlphaEntry™ allows your doorman, concierge, or shipment receiver to manage resident packages from their AlphaEntry™ station, and maintains a log of when deliveries are received in, as well as when your resident picks up their packages.

This feature gives your designated employee(s) the ability to display package arrivals to residents through the entry panels, or at a concierge station depending on the needs of your facility. AlphaEntry™ will even send emails and/or text messages automatically to your residents when a package arrives for them!

USING PACKAGE TRACKING FROM YOUR ALPHAENTRY™ STATION

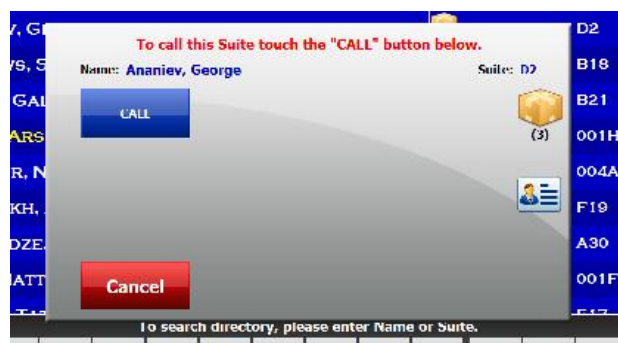


The screen to the left shows a typical entrance panel. Note the package icon indicating that the resident has a package in the system that needs to be picked up.

This icon can be configured to display or not, depending on your facilities needs. This is done through the Editor/Options tab for each entry/station.

With optional AlphaEntry™ MailRoom™ software, detailed package information can be displayed, along with local weather, time and building announcements, on additional monitors in your mail room or common areas.

To Access Package Tracking through AlphaEntry™

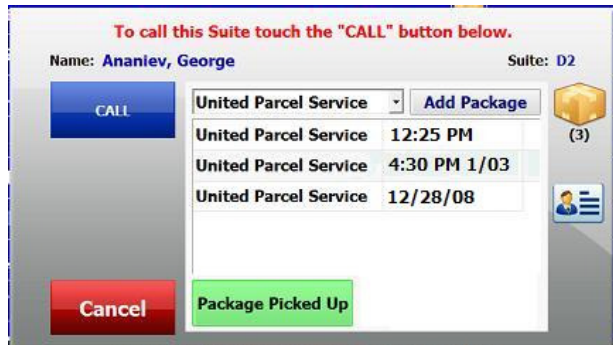


Select the residents name from the AlphaEntry™ call screen.

On the right side of the resident's call box, you will see a package icon. If the resident has packages in the system to be picked up, the icon will display in color as shown to the left with the number of packages shown below.

If there are currently no packages waiting for pickup, the package icon will be gray but still clickable to add packages.

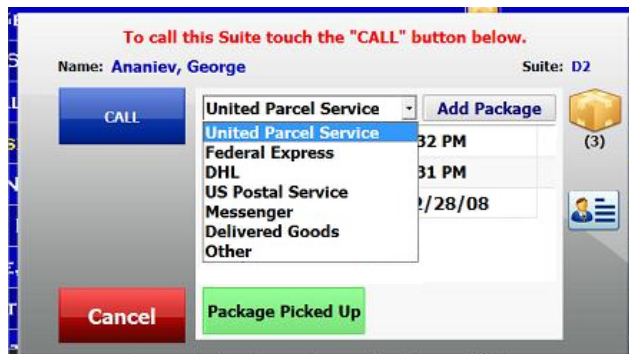
To Display Packages in the System for the Resident



When the package icon is clicked on, a listing of current packages for this resident is displayed as shown to the left, giving information on when the package was received and from which carrier with the most recent package at the top.

The delivery time will display just the time if the package was delivered today, show time and date if on a previous date of the current year, or just the date if received in a previous year.

To ADD a Package

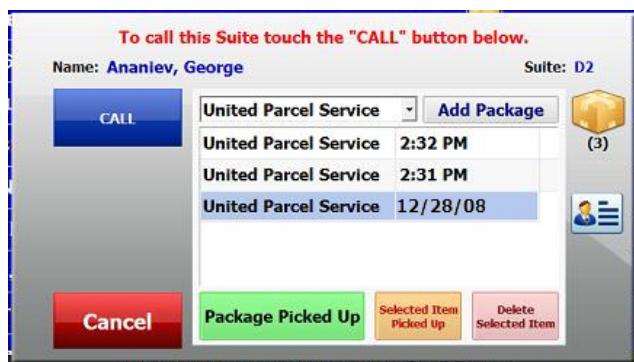


Select the delivery type from the drop down box as shown to the left, then click the Add Package Button.

The system will immediately post the new package, timestamp it, and log the transaction in the AlphaEntry™ Log file.

To close the package tracking window click on any other part of the call box, or click cancel to close the entire call box.

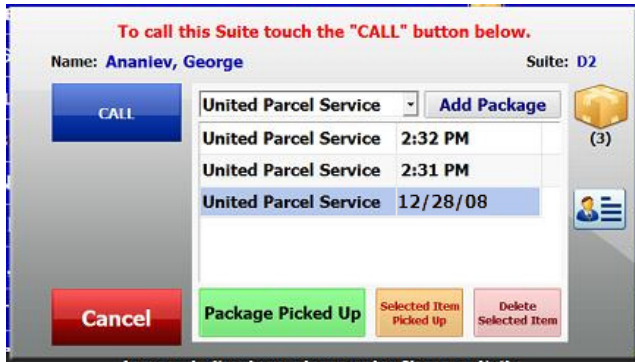
To DELETE a Package



In the event that a mistake is made when adding a package, click on the line for the package you wish to delete. Once it is highlighted, two buttons will appear at the bottom of the box.

Click the pink **“Delete Selected Item”** button. This will remove the package from the list.

To Mark a Package as Picked Up




If a resident has one package to pick up, you may click the green **“Package Picked Up”** button. This will remove the package from the list and log when the package was picked up.


If a resident has multiple packages but only picks up some of them, click on the line for the package you wish to mark as picked up. Once it is highlighted, two buttons will appear at the bottom of the box. Click the orange **“Selected Item Picked Up”**. This will remove the package from the list and log when the package was picked up. Repeat for additional picked up packages.

If a resident has multiple packages and picks them all up, click the green **“All Packages Picked Up”** button. This will remove all packages listed for this resident and log the transaction.

Package Filter Button

Pressing the  button at the top right of the screen will filter the directory screen to show only the residents with packages to be picked up. Typing any characters or hitting Esc will change the directory back to the unfiltered screen.

For more information on configuring the Package Pickup Resident Notification features, please see pg.36.



AlphaEntry™ MailRoom™

AlphaEntry™ MailRoom™ is an optional add-on module designed to seamlessly integrate with your AlphaEntry™ systems, which provides display monitors in your mailrooms or other locations to alert residents that they have packages awaiting pickup.

AlphaEntry™ MailRoom™ is fully customizable to suit the unique requirements and security concerns of your facility.

Please see Chapter 6 for more information.

USING A CONVENTIONAL PC KEYBOARD ON YOUR ALPHAENTRY™ STATION

In a concierge or staff operated station, it may be easier to use a conventional keyboard and mouse at that PC.

The PC keyboard will perform the same search/filter functions as the onscreen directory keyboard. The ESC key functions as the Reset button in the main directory screens and will reset the search parameters. A subsequent press will return you to the previous screen. If no search string has been entered, it will return you to the previous screen on the first press.

The Switch Console, as well as the on-screen tab operations, can be easily operated by clicking them with the mouse.

For user convenience, if this station is equipped with a touch screen, AlphaEntry™ is designed to recognize both input methods simultaneously.

If this station will have a standard keyboard attached, you may wish to hide the on screen keyboard on that station's Option tab (*see pg. 30 for more information*).

Administrator Shortcuts

Type these 4 letter codes in at an entry or master, either by the onscreen directory keyboard or a standard keyboard if equipped, and then click the **RESET** button, or Enter key, to shut down the entry/master to access other AlphaEntry™ components.

EDIT	Shuts down the entry and invokes the Editor (at this entry only, the rest of the system will be fully functional) if the Editor Software is installed on this Entry/Master.
ZONE	Change this Entry/Master to another Entry/Master or change to another database
VIEW or LOGS	Shuts down the entry and invokes the Log Viewer.
EXIT	Shuts down the entry and returns control to Windows.

AlphaEntry™ Editor V3.1

Editor Introduction

The AlphaEntry™ Editor allows persons with administrative access to configure all entries/masters as needed to fit your specific facility. It also allows access to the resident database to add, delete, and modify your resident records.

Because AlphaEntry™ 3.1 can be used with multiple entries or masters, and since each system is different in its needs, the editor is set up to allow each entry to be configured independently as required by the physical location and facility layout. Two examples of this follow:

A simple application:

123 West 73rd Avenue is an apartment building with a front and side entrance. There is no concierge or attendant. This scenario would require the following:

Location	Will Display
Front Entry	All residents
Side Entry	All residents

A more complex application:

Miami Luxury Towers is a gated community consisting of 4 separate buildings. There are 2 concierges located in Building 1 and there are 3 gate entrances to the facility. Gate 1 is exclusive to Bldg 1. Bldg 1 and Bldg 2 have one entrance and share a second common entrance at the rear. Bldg 3 and Bldg 4 have one entrance each. The breakdown of this scenario would be:

Location	Will Display
Gate 1	All residents in Bldg 1 and the concierges
Gate 2	All residents in Bldgs 1,2,3, 4 and the concierges
Gate 3	All residents in Bldgs 1,2,3, 4 and the concierges
Bldg 1 Front	All residents in Bldg 1 and the concierges
Bldg 2 Front	All residents in Bldg 2 and the concierges
Bldg 1 & 2 Rear	All residents in Bldg 1, Bldg 2 and the concierges
Bldg 3	All residents in Bldg 3 and the concierges
Concierge 1	All residents in Bldgs 1,2,3, and 4 with additional concierge features
Concierge 2	All residents in Bldgs 1,2,3, and 4 with additional concierge features

The versatility of AlphaEntry™ 3.1 enables you to configure difficult facilities in the easiest way possible.

Programming and System Configuration

Creating System Security Codes

The information displayed in the AlphaEntry™ application is maintained in a database file. This file stores resident and business names, locations, and necessary contact information. Alpha Media, Inc. has developed the AlphaEntry™ Editor to allow the administrator to input names, locations, and phone numbers as well as set administrative options easily.

To access the Editor, click the “AlphaEntry Editor” Icon on your desktop. If you are currently running AlphaEntry™, type EDIT at the on-screen keyboard then hit the Reset button or, if equipped with a keyboard at this station, type in EDIT and hit Enter (*see Pg. 12 - Administrative Shortcuts*). If a security code has been set, the code entry pad pops up as shown below.



Security codes can be any combination of alphanumeric characters, A-Z and 0-9, and must be a minimum of three characters in length. Security codes are not case sensitive.

Touch or click the keypad buttons to enter your alphanumeric code.

If your station is equipped with a keyboard you may type your security code and hit Enter.

Once your code is entered, the Main editor screen will appear.

Although it is not required for system operation, we recommend creating an administrator security code, if you have not already done so, to prevent unauthorized changes or viewing of data and system configuration settings. To establish your access code, you must create a record for yourself under the Staff/Other tab.

To make a new record and establish a security code for yourself:



From the Editor Main Screen, click the **Directory** Button.

Click on the **Staff/Other** tab.

At the bottom of this screen click the **New** button. The **Person** radio button is selected by default.

Enter your First Name and Last Name in the proper fields, and then click the **Add** button at the bottom of the screen. This adds your record to the AlphaEntry™ database. At this time, your name will appear under the list of Staff on the left.

Select your name by clicking on it from the list.

Click on the **Security/Access Codes** tab.

Call Buttons | Location | **Security/Access Codes** | Notes | Photo | Notification | Door Monitor

Access Codes for Staff and Administrative personnel are used to allow access to the building as well as providing personal pass codes to allow or disallow various system tasks.

Code	Description

The following fields are optional. These fields allow you to specify particular dates and times that you would like specific codes to work.

Dates: 8 /23/2010 - 8 /23/2010

Days: Mon Tue Wed
 Thr Fri Sat Sun

Times: 12:00 AM - 11:59 PM

Code: **New Code**

Descr:

Security Code - this code can also be used in AlphaEntry to do any of the following system tasks:

Administrator Close AlphaEntry Edit Residents Edit Entries/MailRooms View Reports/Logs

NOTE: You should give at least one person Administrator access, so only an Administrator can edit this tab.

In the section above, click the **New Code** button.

Call Buttons | Location | **Security/Access Codes** | Notes | Photo | Notification | Door Monitor

Access Codes for Staff and Administrative personnel are used to allow access to the building as well as providing personal pass codes to allow or disallow various system tasks.

Code	Description

The following fields are optional. These fields allow you to specify particular dates and times that you would like specific codes to work.

Dates: 8 /23/2010 - 8 /23/2010

Days: Mon Tue Wed
 Thr Fri Sat Sun

Times: 12:00 AM - 11:59 PM

Code: **Cancel** **Add Code**

Descr:

Security Code - this code can also be used in AlphaEntry to do any of the following system tasks:

Administrator Close AlphaEntry Edit Residents Edit Entries/MailRooms View Reports/Logs

NOTE: You should give at least one person Administrator access, so only an Administrator can edit this tab.

In the Code box, enter the security password/code of your choice. Security codes can be any combination of alphanumeric characters, A-Z and 0-9, and must be a minimum of three characters in length. Security codes are not case sensitive.

In the Description box, you may choose to enter an optional description for this code.

In the Security Code section at the bottom, check the tasks you wish to allow for this staff member. Checking the Administrator Box will automatically allow all tasks (all boxes will be checked and gray out). When completed, click the **Add Code** button.

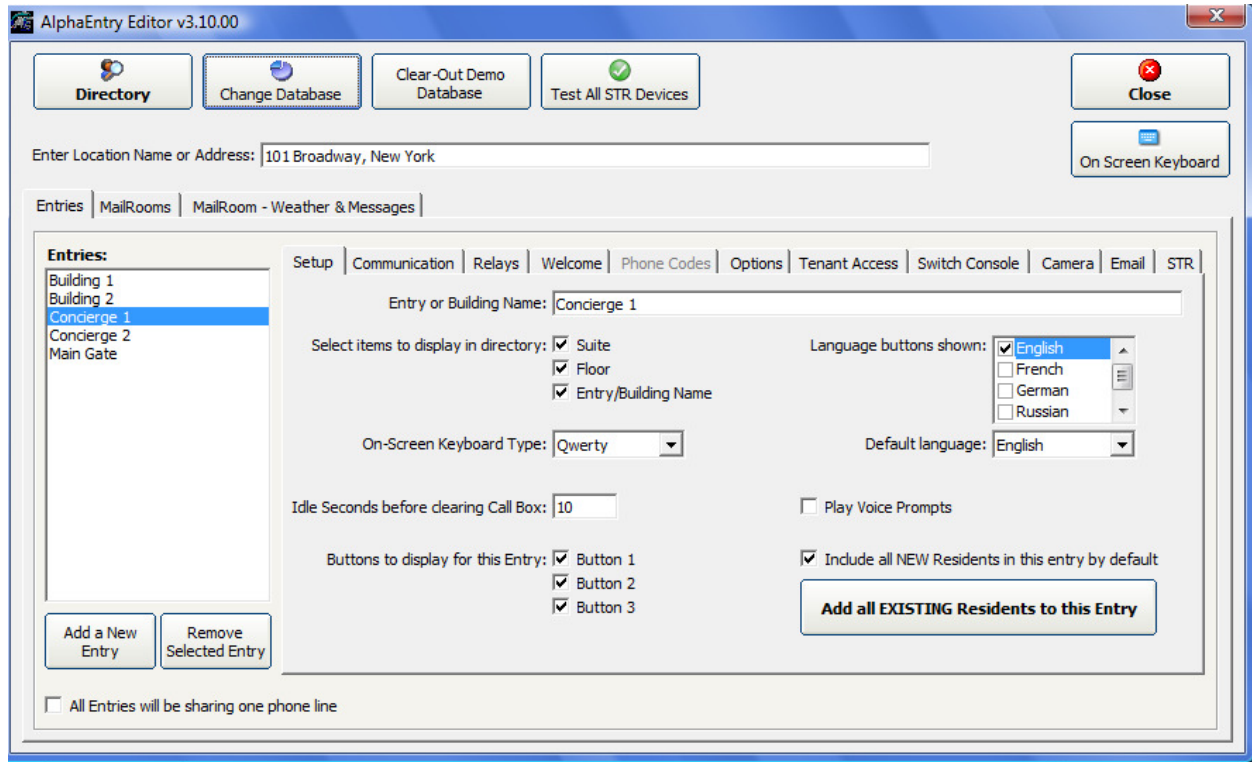
To modify a code or its privileges, highlight it in the Code Box above and make the changes below.

To remove a code, highlight it and hit the remove button.

Security codes can be set up in each staff member's record for building entry as well as AlphaEntry™ system maintenance and restricted to certain dates and times. Descriptions of the various privileges are listed below. If no privileges are selected for a staff member then their code would be used just for building entry.

User Privileges	
Administrator	This level allows total access to all functions of AlphaEntry™
Close AlphaEntry	This will allow a user to close an entry and/or change zones if needed.
Edit Residents	This privilege will allow the user to add, delete, and make changes to the resident records.
Edit Entries/ MailRooms	This privilege will allow the user to make changes to entry and mailroom configurations.
View Reports/ Logs	This privilege will allow the user to view logs and generate system reports.

The Main Editor Screen



The Entries Editor is comprised of 11 tabbed screens. Depending on initial configuration some of these tabs may not be active. The following pages are descriptions of each screen, and information on all the questions related to them.

Each Lobby panel, Concierge station, or Gate panel, is fully configurable separately to be able to fit the needs of the facility. In the above example, you will see that “Concierge 1” has been selected. All the tabs to the right are only for the “Concierge 1” station.

Explanation of Editor On-Screen Buttons



The Directory button at the upper left corner of the Editor screen will access the AlphaEntry™ directory database to allow additions, deletions, and editing of resident, emergency, off premises, and staff/location information to be displayed. This button is visible from all Editor tabs. See Page 26 **“Entering Contact Information”** for further editing information.

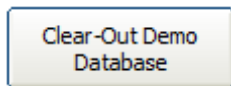


The Change Database button allows you to change to a different database for editing and configuration. This is usually done when editing several different systems from a remote location by Internet access. Pressing this button will open the window below.

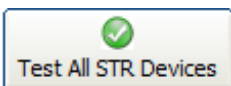
A screenshot of the "AlphaEntry" window titled "SQL Server Database Settings". It contains four input fields: "Username:" with "sa", "Password:" with "*****", "Server Address:" with "192.168.1.100", and "Port:" with "1433". A "Connect to Database" button is at the bottom.

Database Selector Window

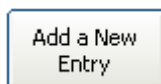
Enter your user name, password, server address, and the port number of the system you wish to modify, and then click on the Connect to Database Button.



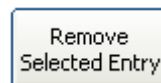
If this button is visible, you are operating the system using the Demo database. To clear out the database to add new information for your system, you may hit this button. Any modifications or additions you may have made to the Demo Database will also be deleted. Once you have removed the Demo information, this button will also be removed to prevent the inadvertent deletion of your facility database.



If this button is visible, you are using the integrated STR QwikBus™ intercom/emergency call system. This will start an automatic test, which runs in the background, to make sure all STR devices are properly registered in the system and responding. This supervision runs automatically when AlphaEntry™ is running and, if a fault is found, will appear on the monitor connected to the translator device.



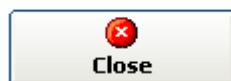
Click this button to add a new entry to the system. You will be prompted to enter the new building or entry/master name. When completed, the name will be added to the list of system entries on the left of Main Editor screen. See Page 7 for more detailed information regarding configuring of entry/ masters.



Click this button to remove a highlighted entry from the system. You will be asked to confirm before the entry/master is deleted. This decision is irreversible.



Clicking this button enables a pop up keyboard. This is helpful when making minor changes to the system from one of the touch screen entries when no standard keyboard is available.



The Close Button will exit the Editor program and prompt you to launch AlphaEntry™. This button is visible from all Editor tabs.

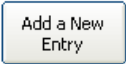
In AlphaEntry™ 3.1, configuring your system to your application must start by answering basic setup questions. The first two questions relate to all entries/masters for the system. As a point of clarification, “Entry” is generally a public access screen at an entrance lobby or gate and a “Master” is a Concierge, Doorman, or Administrative access screen. Other than these labels, they are synonymous and all function in the same manner dependent on individual settings.

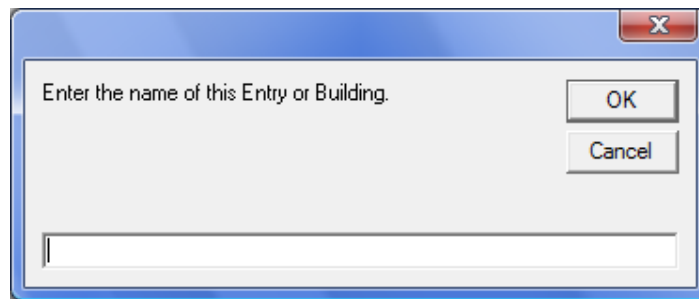
Enter Location Name or Address

Use this field to enter the name or address of the building (if one location) or complex. This will be displayed on the welcome screen and the top of the main user screen(s). (i.e. “161 Street & River Avenue” or “Miami Luxury Towers”).

Configuring Entries/ Masters

Each entry/master may have different settings depending on your application so the editor is designed to allow separate configurations for each location. To set up your first entry/master

location, click the button . The box below will open.



The Entry/Master Name Box

Enter an appropriate descriptive and unique name for the location (i.e. Front Lobby, Main Gate, Building 2, Concierge) and then hit Enter. The name you have chosen will now appear in the list box of Entries and Masters to the left. Clicking on the name will enable the configuration boxes to the right for that specific location. The location name will be displayed at the top of the main screen for that entry.

All entries will be sharing one phone line ? (Telephone Entry/ Multiple Entry systems)

Check this box if all entries will share the same telephone line. If a Telephone Entry/ multiple entry system will be used, the different entries can share the same telephone line or each have their own dedicated line. If the facility has several entrances and high visitor traffic, then it is recommended to use separate lines. If shared, when one entry is in use, the other entries, when placing a call, will display a system busy indication with an approximate waiting time. All calls placed through AlphaEntry™ will be put in a first come-first served queue and will be processed in order as soon as the system is available for the next call. If a system has one or more concierge stations then separate lines should always be used.

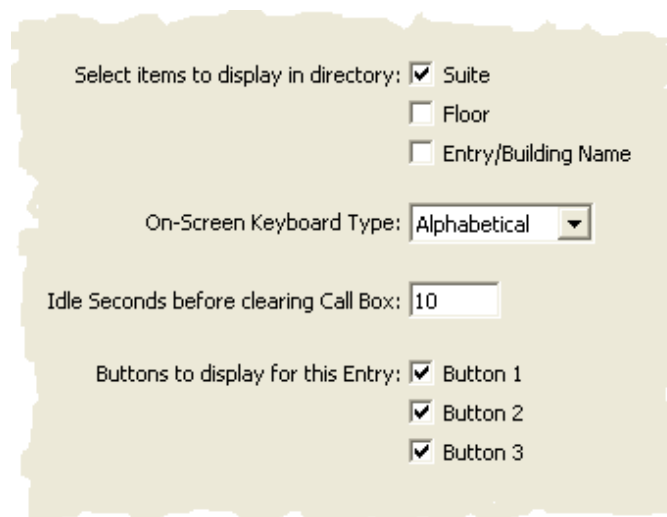
Entry Setup - (1st Tab)

Entry or Building Name:

The name for this specific location will be placed in this field automatically however, if you choose to rename this location now or at a later date, you can edit it here and it will be updated in the system immediately.

Select items to display in directory:

Each entry/master will display just the resident/company name by default however you can list additional information for each resident if desired. The Suite number can be listed or omitted depending on your security issues or special configuration needs. The Floor number can also be listed. If you are using this entry point for communication to several buildings, the building numbers can be listed. Please check the appropriate boxes for your needs at this entry/master.



The screenshot shows a configuration panel with the following settings:

- Select items to display in directory:**
 - Suite
 - Floor
 - Entry/Building Name
- On-Screen Keyboard Type:** Alphabetical (dropdown menu)
- Idle Seconds before clearing Call Box:** 10 (text input field)
- Buttons to display for this Entry:**
 - Button 1
 - Button 2
 - Button 3

Directory Display Options

On Screen Keyboard type:

The Keyboard can be set to **Alphabetical** or **“QWERTY”** keyboard style depending on preference. Default is Alphabetical. With multiple entries, each entry can be configured individually.

Idle Seconds before clearing call box:

Determines how long a call box will display. When a name is selected, a call box will pop up. If a call is not initialized within this specified time (between 5 to 999 seconds) the call box will automatically close and control will revert to the main directory. A recommended setting for this time is between 5-15 seconds. If the duration specified exceeds the “Idle Settings before re-displaying Welcome Screen” value, a warning box will appear after entering that value.

Entry Setup - (1st Tab) –continued

Buttons to display for this Entry:

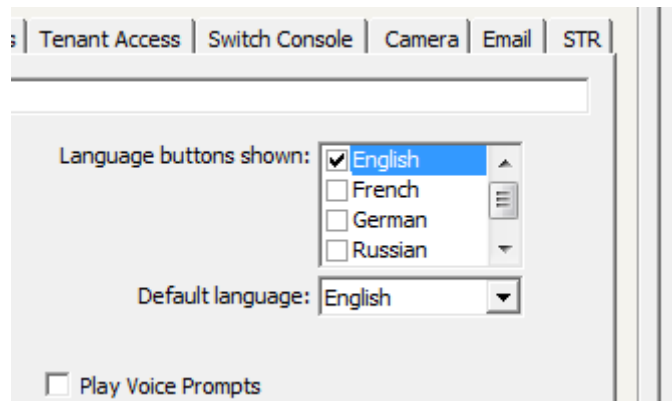
Because AlphaEntry™ can interface with many different communication devices; the buttons can be used to connect to a resident's intercom, telephone, dummy phone, cell phone, or work phone. Up to three buttons can be programmed for each resident.

With a Concierge station, usually all three buttons would be available to call the resident. So even if the resident was not at home (1st button) you could reach them on their cell phone (2nd button) or even a work number (3rd button) in the event of an emergency or situation that would require immediate contact. On an entry panel used by visitors you might want to display the 1st button for the suite phone only. Each Entry/Master can be configured to show one, two or all three buttons, or even no buttons if you want to use that particular entry as a directory without contact capabilities. Every effort has been made to make AlphaEntry™ flexible enough to be easily configured to your facilities needs.

To configure the buttons that show at this entry, check the boxes for the buttons you want visible.

Default Language:

AlphaEntry™ prompts can be displayed in English, French, German, Russian, and Spanish. You can even use a different language at each entrance if you wish. Simply select your languages of choice from the drop down menu shown below.



Language Display Options

Buttons will appear on the main screen to allow visitors to select their preferred language during their session with AlphaEntry™. When their call is done, the entry will return to the default language which must be selected in the default language dropdown box.

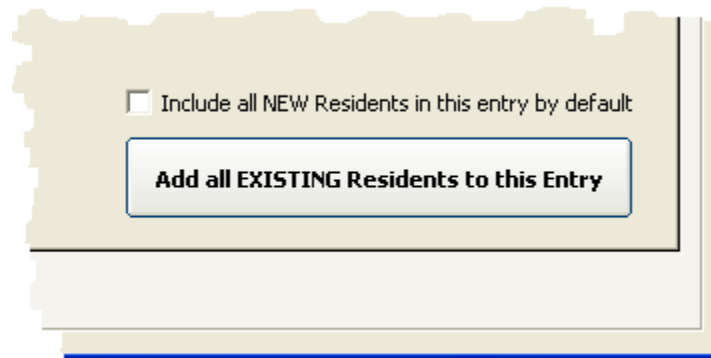
Play Voice Prompts:

Checking the Play Voice Prompts checkbox will enable audio prompts as well as visual prompts in the chosen language. This is a valuable tool for those who may be visually impaired. Your entry must be equipped with speakers connected to the PC for this feature.

Entry Setup - (1st Tab) –continued

Adding Residents automatically:

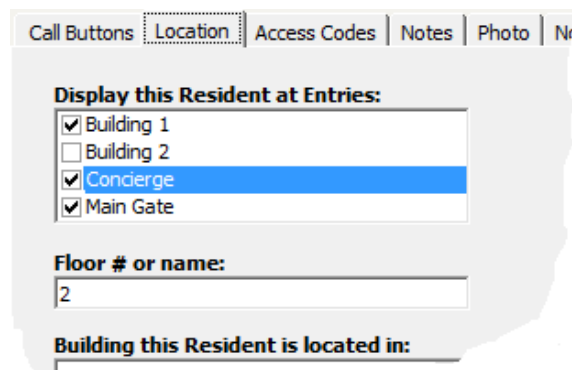
If you have already entered residents into the database, this feature enables you to automatically add them to the entry/master that you are currently configuring. In some applications, such as two entrances in one building where all residents would be listed, this saves data entry time by automatically marking all resident records for inclusion in the display using the **Add all EXISTING Residents** button rather than having to change each record manually. If you have a situation where most of your residents will be listed but not all, you may still want to mark all for inclusion and then override the individual resident records by removing them from a specific entry/master using the display check boxes (shown below). Obviously, this global change must be used cautiously because it will change all the records and is an irreversible action. A warning box to this effect will appear when this button is selected.



Automatic Adding of Residents Features

Include all NEW Residents by default: This check box will automatically mark a new resident record to display at this entry/master as they are added to the database to save data entry time. Individual records can be changed at anytime through the resident record editor.

Where an individual resident is displayed can be seen by accessing the individual resident record/ Location tab where all entry/masters in the system will be displayed. The picture below shows the portion of the Resident record where these changes are applied. Note in this example that this particular resident will display on the Building 1 entry screen as well as the Main Gate and Concierge screens but not display in the Building 2 entry.



Resident Record Display List

Communication -Modem, Port, & Pager Setup - (2nd Tab)

Setup | Communication | Relays | Welcome | Phone Codes | Options | Tenant Access | Switch Console | Camera | Email | STR

Will this Entry be using a Modem to dial out? Yes No

Specify the Modem to dial out (or enter the Comm Port number): 1 Dialing...

Select the type of device you will be using to Talk/Listen when dialing out: Phone connected directly to Modem

Enter the Serial Comm Port used to connect to the open-voice interface board: 3 (VDTMF board)

Enable QwikID (CallerID - usually only used for Concierge Calling Stations)

BOTH a No Phone Bill AND an outside (Tel. Co.) phone line will be connected at this Entry

What is the phone number of this entry: 631-555-0302 (optional - only required for Call Forwarding option)

Will this Entry be sending messages to Pagers? Yes No

Enter the Serial Comm Port used by the Pager Transmitter: 6

Communication Screen Detail

Will this Entry be using a Modem to dial out? If your system will use a dedicated phone line or “no phone bill” equipment, the computer will require a modem to interface to those connections. Please refer to System Requirements on Pg.2 to determine the correct modem type. If the **Yes** radio button is selected, the following questions will need to be answered. If the **No** radio button is selected, the following questions will be grayed out and not required for this entry.

Dialing Button This will open a dialog box where you can specify special dialing prefix requirements for your area.

Specify the modem to dial out: You will most likely have only one choice available unless your computer is equipped with multiple modems. If using an external modem, you may enter a Comm Port number.

Select the type of device you will use to Talk/Listen when dialing out: Choices are Open Voice (Brown Box), Open Voice (Lt. Gray Box), Handset (Black Box), Handset (Brown Box), or Phone connected directly to modem. Each entry/ master can be configured independently.

Enter the Serial Comm Port used to connect the open-voice interface board: If Open-Voice speaking has been selected above, you must specify which serial port will be connected to the open voice interface boards. Otherwise, this field will be grayed out.

Maximum number of seconds a call can last: Open Voice ONLY

At an open-voice entry, the call will end when the resident buzzes the visitor in. If the visitor is not buzzed in, there must be a way for the program to end the call. This has been done by limiting the amount of time the call will stay active before reverting back to a ready state for the next visitor. Usual suggested time is 45 seconds but you can specify 10 to 999 seconds for this function. The screen will display a “countdown bar” to the visitor to indicate when the call will be ending. The call can also be canceled by pressing the “Cancel Call” button that will appear on screen.

OR

Enable QwikID: Concierge ONLY Check this box if this station will be receiving incoming calls and wishes to see who is calling down or calling in from outside. Refer to Pg. 7 for more QwikID information.

Both a “No Phone Bill” AND an outside phone line will be connected at this Entry?

Check this box if this Entry will use this configuration.

What is the Phone Number for this entry? If your system will use the call forwarding option, the phone number of this entry is required. Otherwise it is optional but recommended.

Will this Entry be sending messages to Pagers? If your system will use pagers, check the Yes radio button and enter the serial port that will connect to the transmitter.

Relay Board Setup - (3rd Tab)

Relay Board Detail

Will you be using a Serial Comm Port to connect to external relay boards?

AlphaEntry™ can be used as a telephone entry type system and may not require use of relay boards. However if AlphaEntry™ is interfaced to a conventional intercom system or requires door strike control or special functions such as on screen concierge building controls (Switch Console) or other special applications then one or more relay boards will be required.

If **Yes** is selected, then you will be required to answer the remaining four questions on this tab.

If **No** is selected, the remaining answers are not required and will be grayed out.

Enter the Serial Comm Port to use to activate the relays:

If the radio button “Yes” is selected then you must assign which serial port will be used to connect to the relay boards. More information on available Ports can be found on your PC by the methods below:

2000, 2003 Server, XP	Vista , Windows 7
Click Start button	Click Start button
Right Click on My Computer	Right Click Computer
Select Properties	Select Properties
Select Hardware Tab	Select Device Manager
Select Device Manager	Select Device Manager
Expand (+) Ports	Expand (+) Ports

Display “Switch Console”

The Switch Console is used for Concierge control of lights, gates, cameras, elevator calls, etc. If this feature is used by your application, it will control relays providing either momentary or latching dry contact closures. Checking this box enables the Switch Console configuration tab in the Editor and the Switch Console tab on the AlphaEntry™ directory screen. This feature is usually used for Concierge controls however; it can be enabled for any entrance if special needs require it.

Default number of Seconds a relay is activated for:

When AlphaEntry™ is interfaced to a conventional intercom system the program presses the apartment call button using the relay board(s). To make AlphaEntry™ as adaptable to your requirements as possible, the amount of time the relay will be energized is determined here. Default time is 3 seconds. Duration can be set from .1 seconds to 999 seconds.

The relay boards used to call the residents will be using Multiple Common Wires

Some intercom systems use a matrix based wiring scheme and may require multiple commons. If your existing system uses this method, then this box must be checked. This will add a common wire field to the resident button fields to allow proper system configuration.

Relay Board Setup - (3rd Tab) – continued

Optional Relay Call Button

Would you like to display a button on the Welcome screen to contact a call center? Yes No

Button Label: Button Color: Button Text Color:

Relay Board Number: Relay Number:

Relay active length: (seconds) Button Image:
* GIF/JPG/BMP file located in the 'AlphaEntry\Skin' folder



In some facilities, there may be a need for a visitor or delivery person to contact a staff member, off premises call center, or even ring a bell at a location. AlphaEntry™ allows you to place a call box on the Welcome Screen which when pressed, will close a dry contact relay on the optional RY008AE board (if you use a door release controlled by at this entrance, you probably already have this board as part of your system). This call box can be easily customized for your specific needs in the editor with the fields shown above.

To configure this call box:

Select the YES Radio button
Button Label: Enter the text you wish to show on the button.
Button Color: Click on the color box and select your choice of Call Box Color
Button Text Color: Click on the color box and select your choice of Text Color
Enter the Relay Board and Relay number you wish to be energized when this button is pushed
Relay Active Length: Enter the duration of the relay closure in seconds (0.1 to 999 seconds)
Enter an optional icon.

The text message and icon will automatically center within the box as shown in the example above.

If you will need a custom message, logo, or picture, you can create one as a .jpg or .bmp file with a pixel size of 75 high by 680 wide, save the file in the *AlphaEntry/Skin* folder. This must be saved in the local PC.

Welcome Screen Settings - (4th Tab)

Setup | Communication | Relays | **Welcome** | Phone Codes | Options | Tenant Access | Switch Console | Camera | Email | STR

Idle Seconds before re-displaying Welcome Screen:

Slide Show Welcome Screen

Welcome Screen is a slide show
 Hide Welcome Text (All Text is included in Images)
Change slide every seconds

Scheduled Welcome Screens

Use Scheduled Welcome Screens
 Hide Welcome Text (All Text is included in Images)

[Define Schedule & Images](#)

Installer Message

Line 1:
Line 2:
Line 3:

[Copy above text to ALL Entries](#)

Welcome Screen Detail

[Idle Seconds before displaying Welcome Screen](#)

This field controls the amount of time in seconds that the active window will revert back to the Welcome screen picture(s).

[Slide Show Welcome Screen](#)

The Welcome Screen settings allow the administrator full customization of pictures and text. By checking the **“Welcome Screen is a slide show”** box, the screen background will automatically change pictures at the interval chosen in the **“Change Slide every”** field. (5 –999 seconds)

When you put a check mark in the box next to **“Hide Welcome Text”** it will take out the text overlay leaving the Welcome Screen just with the background image. This allows the administrator to make any custom graphics with their own Welcome Screen text. The graphics file default location is *C:\Program Files\AlphaEntry\SlideShowPics*

[Installer Message:](#)

These fields allow the installer or maintenance company to display contact information at the administrator’s discretion. The message will appear in the bottom left corner of the welcome screen.

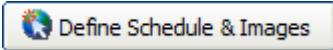
As a convenience to the installer, clicking on the [Copy above text to ALL Entries](#) button will copy the installer information to all existing entries automatically.

Welcome Screen Settings - (4th Tab) – continued

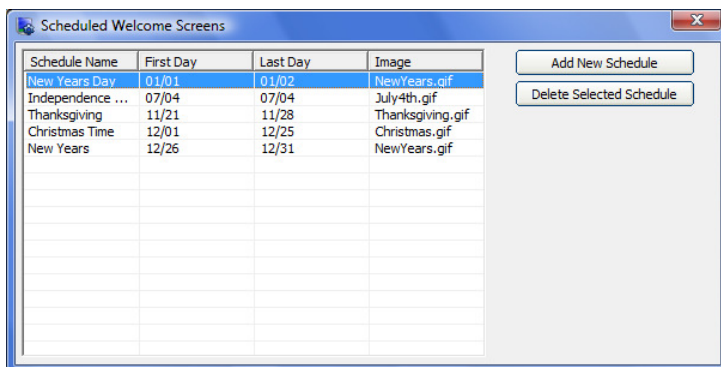
Scheduled Welcome Screens

The Scheduled Welcome Screens, when enabled, allows the AlphaEntry™ Welcome Screen to display alternate special images. This feature is generally used when AlphaEntry™ is used as a lobby panel for public and resident use. It allows the administrator to display a background image relating to a holiday greeting, special event, or announcement during a programmed date range. Checking the “Use Scheduled Welcome Screens” box will automatically enable the special messages to activate when the current date is within the administrator’s determined date range.

Placing a check mark in the box next to “Hide Welcome Text” leaves the Welcome Screen images only.

Clicking/Touching the  will open the screen where the administrator can input and delete scheduled welcome screens and adjust date ranges.

Please Note: The Define Schedule & Images button is grayed out if the “Use Scheduled Welcome Screen” is not checked.



Scheduled Welcome Editing Screen

To add a special welcome screen, click the “Add New Schedule” button. A window will open where you can specify the starting and ending dates. The administrator will also specify the image name. A thumbnail of the selected image will appear on the lower right.

The graphic can be created in any graphic program in .jpg, .gif, .bmp, or .png format.

To delete a scheduled entry, highlight from the list on the left, and click the “Delete Selected Schedule” button.

When scheduled screens are used it will automatically suspend the slideshow during the date range associated with the scheduled screen.

The scheduled graphics file default location is **C:\Program Files\AlphaEntry\SchedulePics**

For more information on custom graphic requirements, see **Creating Your Own Custom Graphics** in Appendix A.

DTMF Phone Code Settings - (5th Tab)

If you are using AlphaEntry™ as a telephone entry type system, the phone codes tab will be enabled. This screen is used to configure relays to respond to DTMF tones produced by the resident's telephone. This allows the residents to operate door releases or control other necessary devices.

Phone Code	Board	Relay	Seconds	Description
9	1	8	5.0	Open Front Door

Remove Selected Phone Code

Phone Code: (0-9, *, or #)

Relay Board Number:

Relay Number:

of Seconds Relay is active:

Description (optional):

Add Phone Code

Phone Codes Screen

To Add a phone code:

Enter the phone key you wish to control the device in the Phone Code field (0-9, *, or #).

Enter the Relay you will be using to control the device. You can have up to 16 boards of 8 relays each depending on your application so you must enter the board number and then the relay number in their respective fields.

Enter the duration in seconds that the relay will be activated. The Editor will insert the previously specified global default relay time, but this can be overwritten. The duration of activation can be from

1 – 999 seconds.

It is highly recommended that you enter a description to document what the relay usage will be.

To Delete a phone code:

Highlight the line of the relay you wish to remove by clicking on it.

Press the “Remove Selected Phone Code” button to the right.

Note: Only one relay line can be removed at a time to prevent accidental deletions.

Phone Code Settings - (5th Tab) continued

To Edit a phone code:

Highlight the line of the relay you wish to edit by clicking on it.

The information for that line will appear in the Add/Edit fields below and can then be modified as needed.

When editing is finished for that relay press the “Add Phone Code” button and the information will be added into a new line. When you are sure your listing is correct, highlight the old line and click the “Remove Selected Phone Code” button.

A few notes regarding phone codes and relays:

The relays provided on the RY008AE boards are factory set to be Normally Open but can be individually changed to a Normally Closed state if needed, by changing the relay’s jumper on the board.

Setting one number to operate more than one relay:

In the example below, pressing the **7** key will release the door for 3 seconds on one relay, turn on the inside lobby lighting for 180 seconds on a second relay, and call an elevator to the lobby with a third relay set for a 2 second duration (wired in parallel with the lobby elevator call button).

Setting more than one number to activate a relay:

Using the same example, the first relay will also activate by pressing the **9** key to release the door, but this will not turn on the light or call the elevator, as the other two relays will not be activated. This scenario is illustrated below.

Setup | Communication | Relays | Welcome | **Phone Codes** | Options | Tenant Access | Switch Console | Camera | Email | STR

Phone Codes that can be used by the person receiving a call to activate an external relay:

Phone Code	Board	Relay	Seconds	Description
7	1	4	3.0	Open Front Door
7	1	7	180.0	Turn on lobby light
7	1	8	2.0	Call Elevator to Lobby
9	1	4	3.0	Open Front Door

Remove Selected Phone Code

Phone Code: (0-9, *, or #)

Relay Board Number:

Relay Number:

of Seconds Relay is active:

Description (optional):

Add Phone Code

Relay Setting Example

Options Settings - - (6th Tab)

Setup | Communication | Relays | Welcome | Phone Codes | **Options** | Tenant Access | Switch Console | Camera | Email | STR

In Tenant Listing Sort Residents by Suite Include First Name in Tenant Listing searching

Show a Package Icon in Tenant Listing if there is something waiting for them to be picked-up

The following options are only recommended for Concierge use

Show Tenant Notes in Call Box Hide On-Screen Keyboard

Show Tenant Photo in Call Box Display 'Emergency' and 'Off Premises' Tabs

Messages can be sent from Call Box (Email/Cell/Pager) Display 'Staff/Other' Tab

Package Delivery and Pickup can be done from this Entry Display 'QwikCAM' button

On package arrival turn on STR message LED in apartment Display Minimize & Close Button

Apartment Door Monitoring can be Enabled from this Entry

Call Forwarding Options

This Entry can Forward its Calls to another Entry
When Call Forwarding is enabled calls will be forwarded to:

Options Screen

“In Tenant Listing Sort Residents by Suite” Checking this box allows an entry or concierge screen to display tenants by ascending Suite number instead of alphabetically by tenant last name. To also include First name field in the search, check the “Include First Name ...” Box also.

“Include First Name in Resident Listing Search” When searching for a resident on screen, typing either the first few characters of the Last Name or the Suite Number will filter the listing until you can easily find who you are looking for. If you wish to also filter by the First Name field you can check this box.

“Show a Package Icon in Tenant Listing...” If checked, will display an icon when a tenant has a package or message waiting for them.

CONCIERGE USE OPTIONS:

“Show Tenant Notes in Call Box” will display any notes pertaining to the resident. This is recommended as a concierge option and not used on a visitor entry panel.

“Show Tenant Photo in Call Box” will display a picture of the tenant. This is usually a concierge option and not used on a visitor entry panel.

“Messages can be sent from Call Box(Email/Cell/Pager)” This checkbox allows the messaging icon to be visible within the call box so that Staff and Tenant text messages can be sent to pagers, cell phones, or by email.

For further information on Pager system configuration please refer to Pg. 67.

“Package Delivery & Pickup can be done from this Entry” allows processing of tenant packages through this entry/master. This procedure is done through the tenant call box by clicking on the package icon.

For further information on the Package Tracking options please refer to Pg. 37.

“On Package Arrival turn on STR message LED in Apartment” automatically turns on a tenant’s message light when a package arrives for them and is entered into the system.

“Apartment Door Monitoring can be Enabled from this Entry” allows the concierge to remotely activate the resident’s door monitoring feature, if equipped, from his console.

Option Settings - (6th Tab) continued


“Hide On-Screen Keyboard” This checkbox is usually used at a concierge station where the PC has a regular keyboard and the on-screen touch keyboard is not needed. This allows more room for resident listings.

When the keyboard is not displayed, an icon  at the bottom right of the screen can be clicked on to display the keyboard when needed.



Display “Emergency” and “Off Premises” tabs : If this check box is checked, the additional tabs on the Information screen will be visible and enabled. This is usually done for a Concierge or Doorman operated system if you wish your concierge to have access to these features. It is rarely done when used as a lobby panel for resident and visitor use but is available if your application should require it for special applications.

Display “Staff/Other” Tab: If this check box is checked, the Staff/Other tab on the Information screen will be visible and enabled. This allows a Concierge or Doorman quick access to contact other staff members or locations (i.e.: office, garage, housekeeping, front entrance panel, etc.) by phone, email, or pager depending on configuration and hardware.

Display “QwikCAM” Button: With this box checked, a concierge can easily access the cameras on the AlphaEntry system by clicking on the  QwikCAM icon near the top right of the screen.

“Display Minimize & Close Buttons” This checkbox allows the minimize and close button to be visible on a concierge screen to allow the PC to be used for other functions without exiting AlphaEntry™ or to close AlphaEntry™ without the “EXIT” code. The pass code is still necessary to be able to exit the program in this fashion.

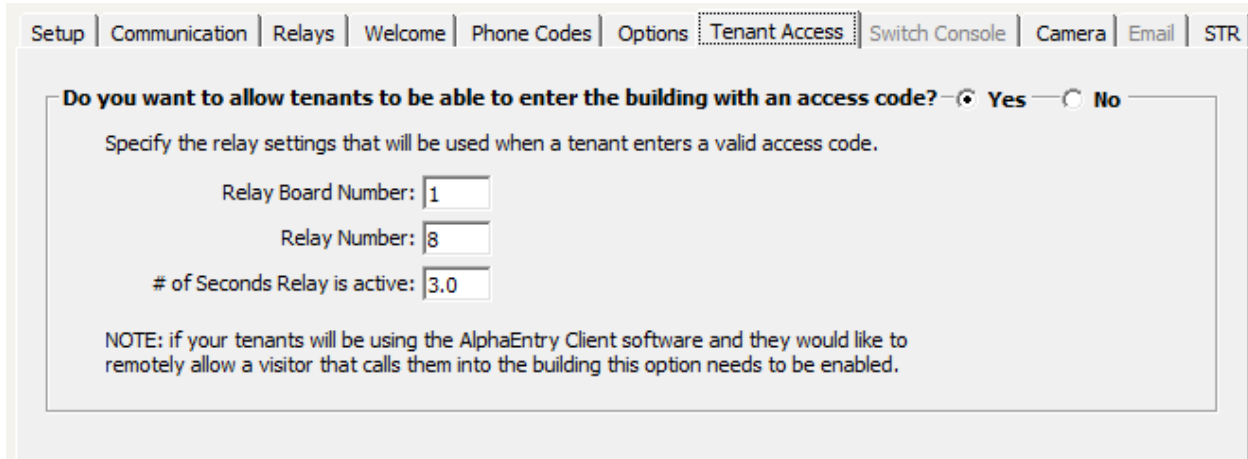
CALL FORWARDING OPTIONS:

“This Entry can Forward it’s Calls to another Entry” (Visitor Panel) when checked, all calls will be sent to the station selected in the drop box (usually a Concierge). The information of whom they are trying to contact will be displayed at the receiving station enabling the Concierge to screen visitors for their residents when required.

“This Entry can receive Forwarded Calls” (Concierge) when checked, this location will have a button that will toggle the Call Forwarding feature On & Off. When this feature is on, all visitors calling at the forwarding panel will be forwarded to this location with on screen information on which resident they are trying to contact.

For further information on the Call Forwarding option please refer to Pg. 8

Resident Access - (7th Tab)



Resident Access Configuration Screen

[Do you want to allow residents to be able to enter the building with an access code?](#)

If relay boards are being used in your application, residents can let themselves in by entering a personal password. This screen is used to connect the relay(s) that you will use to release the door(s). The program must know which relay on which board will be activated when a resident's password is entered on the lobby screen. Each resident will have, at the administrator's discretion, an individual password with the option to have additional passwords for special usage (*refer to Pg. 46 - Assigning Resident Access Codes*). Specify the Board number, relay number, and duration of closure in the fields provided. If a Normally Closed relay is required for a Magnetic Lock or other special device, a jumper on the relay board for that specific relay can be moved to make the relay operate as Normally Closed. Please be sure to check that amperage and voltage requirements do not exceed relay tolerances.

Important Postal or Service Personnel Access information

If your application requires access for a mail carrier, or other service provider requiring access and you wish to allow entry through the lobby touchscreen you must answer this question yes and follow these steps.

1. Make a new commercial listing putting "Mailman" in the Business Name field
2. Make a non-existent Suite # (Example: "M")
3. Check the Hide Listing Box so "Mailman" does not show in the resident listings.
4. Enter a Resident Access Code of your choice (Example: 123)

The Mail Carrier will now be able to release the door by entering "M123" at the lobby panel.

NOTE: A standard Postal Lock can be interfaced with the system however there will be no record of access in the event log.

This procedure can be used for other service personnel that require building entry on a regular basis. By listing each service person and their pass code separately, the event log will display time and date of access for each person.

Switch Console Configuration (8th Tab)

Switch Console Configuration (8th Tab)

Setup | Communication | Relays | Welcome | Phone Codes | Options | Tenant Access | **Switch Console** | Camera | Email | STR

Switches that can be used to control external relay:

Switch Label	Board	Relay	Seconds
Elevator Call to Lobby	1	7	2.0
Front Light (10 Seconds)	1	9	10.0
Open Front Door	1	8	2.0
Side Light	1	10	Toggle
Emergency Light	1	6	Toggle
Test B2, R1	2	1	Toggle

Remove Selected Switch

Switch Label:

Relay Board Number:

Relay Number:

Relay Type: Toggle Timed

of Seconds Relay is active: Activate when an Emergency Call is received

Add Switch

Switch Console Configuration Screen

If external relay boards are used, another available feature included in AlphaEntry™ is the ability to control lobby lights, taxi lights, gates, elevator calls, cameras, ADA automatic doors, or any other device that uses a momentary or latching dry contact closure to operate (for safety considerations this feature is not recommended for unsupervised garage door opening or closing). These features are usually used only for concierge or building management masters.

Each RY008AE board has eight programmable relays. Some of the relays are reserved for system use, dependent on configuration, but others are available to be programmed to respond to DTMF tones sent by the resident telephones (when configured as a telephone entry system) or concierge operated switches. Up to a total of (8) RY008AE boards (64 relays total) can be chained on the same serial cable run if your application requires additional switches.

The relays provided on the RY008AE boards are factory set to be Normally Open but can be individually changed to Normally Closed state if needed, by changing the relay's jumper on the board.

NOTE: Please be sure to check that amperage and voltage requirements do not exceed relay tolerances, and be sure to use isolation relays for 110 VAC applications to prevent possible system damage.

All these available features can be enabled or disabled in the AlphaEntry™ Editor to customize the application to suit your building's unique needs and security issues.

Switch Console Configuration (8th Tab) - continued

To Add a switch console activated relay:

1. Switch Label.

Using the appropriate fields below the main box, enter a label to identify the switch function.
This label will be displayed on the button.

2. Relay Board Number.

Enter the Relay Board Number for the relay to be used. (1 – 16)

3. Relay Number.

Enter the Relay position on the board (1-8)

4. Relay Type.

Specify if this relay will be used as a **latching/toggled** switch (Push ON, Push OFF), or a **Timed** switch (after pressing the switch the relay will remain active for a specified amount of seconds).
If the switch is timed, enter the time duration the relay will remain active (between 0.1 – 999 seconds).

5. Add Switch.

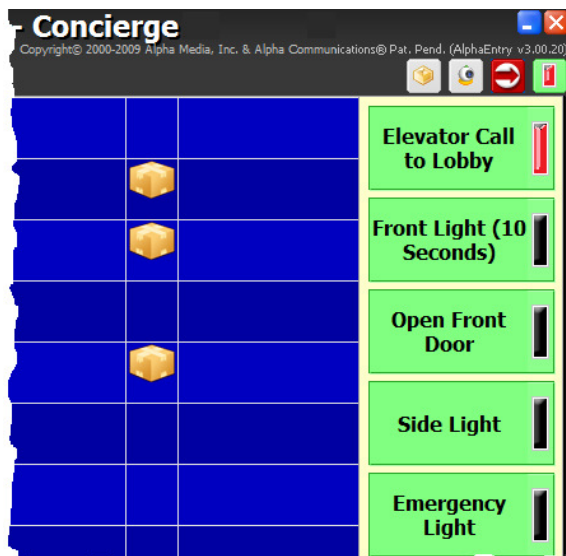
When finished, press the “Add Switch” button.

To Delete a switch console activated relay:

1. Highlight the switch to be deleted.
2. Press the “ Remove Selected Switch” button

To Edit a switch console activated relay:

1. Highlight the switch to be edited.
2. Edit the switch information in the fields provided below, and then press the “Add Switch” button.



← Switch Console Tab

On Screen Switch Console

When a switch is activated on screen, its pilot light will glow red to indicate the switch is on.

If any of the switches are active, the pilot light indicator on the Switch Console tab will also illuminate, as an indication when the Switch Console is minimized.

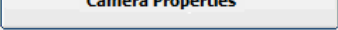
Camera Configuration (9th Tab)

Camera Configuration (9th Tab)

PLEASE NOTE: In some jurisdictions there are laws regulating video camera recording and this feature may not be permitted in some states or localities. Please check with local authorities to determine if this function can be used.

Camera Configuration Screen

AlphaEntry™ keeps an event log whenever the lobby panel is used. If a camera is connected to this entry, it will take a snapshot to be included in the event log. This camera should be mounted in the panel, or elsewhere in the lobby area in such a way as to see the visitor or resident using the lobby panel. For camera set up convenience, the live feed from the camera will display in the lower right side of the box if it has been connected and enabled. In a concierge situation, some facilities mount a dome camera behind the concierge to capture visitors standing at the desk for the log. If this installation has an Internet connection, you can allow your residents to see live video on their computer or iPhone® from this camera to verify visitors.

Clicking on the  button will open the window shown to the right. This window will vary with the camera and device driver that is chosen, but can be used to optimize and adjust the camera for the best picture results. With most cameras, a live window will open so you can view your adjustment results.

Always be sure to take variations in lighting during the day into account.

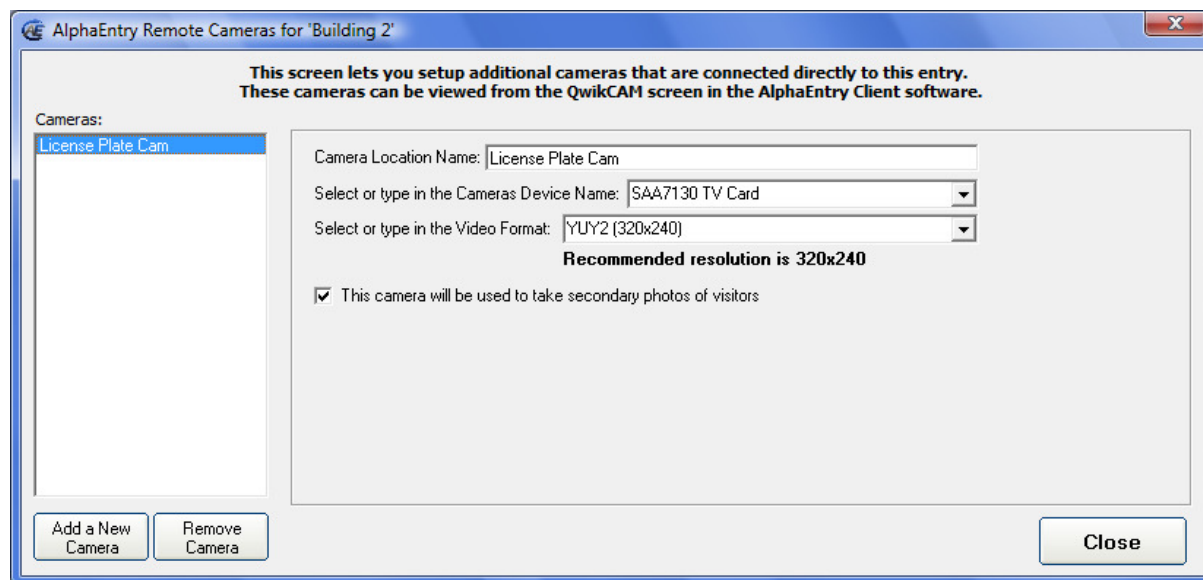
Note: The Camera Properties button is only accessible from the PC that has the camera attached.

Camera Properties Screen

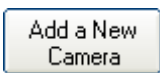
iPhone® is a registered trademark of Apple Inc.

Adding Additional Cameras

Clicking on the  button will open the window shown below.

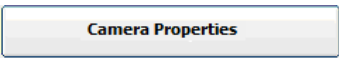



This window will allow you to add one or several additional cameras, which will attach directly to the entry/master PC you are currently configuring.

Click the  button and respond to the prompt giving the camera location name.

Once the location is listing in the box to the left, click to highlight it and, on the right, select the camera you will be assigning to this location. The drop down box will list all available cameras attached directly to this PC.

When the camera has been selected, the resolutions, format, or other camera specific information should appear in the next drop down box.

A live picture and a  button will appear so that adjustments can be made in aiming and configuring the camera for best picture quality.

These cameras can be viewed throughout the system, by a concierge in AlphaEntry by clicking on the  icon on the top right of their screen (if enabled), or by a resident in the QwikCAM™ screen of the AlphaEntry™ Client software.

This particular application displayed can be used as a secondary still shot saved in the visitor log. In a drive up gate scenario this would enable you to take a picture of the driver placing the call, take a second picture from a camera aimed to capture the license plate, and store both in the log at the time the call is placed. To store the second frame, check the secondary photo box on this screen. Both cameras must be connected to the same PC.

Email Configuration (10th Tab)

The screenshot shows a web interface for email configuration. At the top, there are navigation tabs: Setup, Communication, Relays, Welcome, Phone Codes, Options, Tenant Access, Switch Console, Camera, Email (highlighted), and STR. Below the tabs, a message states: "This option allows Email and or Text Message alerts to be sent to Residents when a package arrives for them." The interface is divided into two main sections: "Email Settings" on the left and "Email Message" on the right. The "Email Settings" section includes fields for "Messages will come from this Email Address" (containing "concierge@yourbuilding.com"), "SMTP Server Address" (containing "mail.yourbuilding.com"), a checkbox for "Send a Carbon Copy of all emails to above email address", and an "Authentication" section with fields for "SMTP Username" and "Password". A button labeled "Send a Test Email to above Address" is located at the bottom of this section. The "Email Message" section includes a "Subject" field (containing "Delivery from #type#") and a "Message Text" area with a scrollable text box containing: "#name #, You have received a delivery from #type# on #date# at #time#. Please pick-up your delivery in the mail room. #location #".

The email configuration is used to automatically send messages to residents when a package is received for them.

The left side of this form is to associate your email address that you will be sending from and the necessary SMTP protocols if required.

The right side contains the message that will be sent. The fields between the # signs will be added from the database to provide a personalized message to your residents email and/or text message address. The message generated in this sample would be as follows:

Subject: Delivery from UPS

Tom Evans,

You have received a delivery from UPS on 05/20/09 at 2:45 p.m.

Please pick-up your delivery in the mailroom.

Concierge

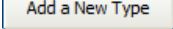
This message can be edited to conform to your facility but be careful to place the fields appropriately. When you click on the message text to edit it to your needs, a box with field definitions will pop up on the left side to assist you in making your changes.

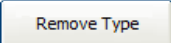
The preferred method of delivery notification for your residents can be specified for each resident in the Residents database record under their **Notify** tab (refer to Pg.48).

If your system is using the STR QwikBUS™/ AlphaEntry™ interface, the 11th tab (STR) is explained in Chapter 5 which is found on Pg. 51.

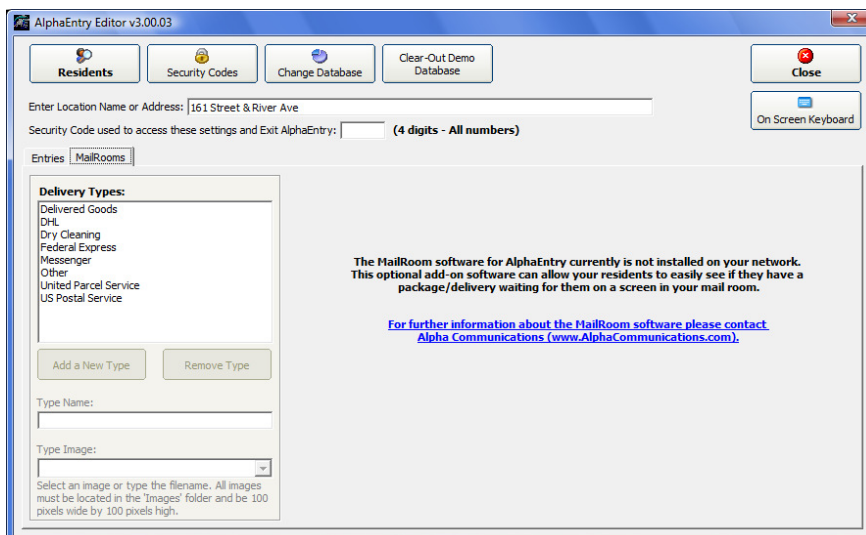
PACKAGE TRACKING EDITOR CONFIGURATION

All delivery types are selectable by the administrator in the Editor. AlphaEntry™ comes with the more common delivery types installed already, however additional custom types can be added easily.

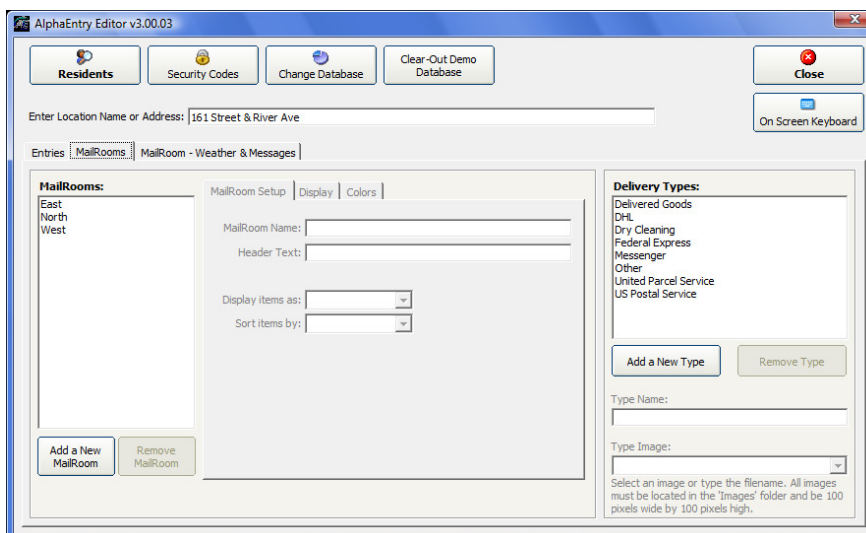
To add a new delivery type, click on , enter the new name, and assign a new graphic image to it. You may choose one of the included graphics or create your own. The requirements for additional delivery type icons are that they are jpeg, bmp, gif, or png files sized 100 pixels wide by 100 pixels high.

If you see default delivery types that you do not see as being needed you may delete them using the  button, however, it may be a good idea to retain them for possible future needs.

Package Tracking Configuration



Basic Package Tracking Configuration Screen



MailRoom Configuration Screen with Optional MailRoom displays

When the MailRooms tab is selected in the editor, one of the above screens will display. AlphaEntry provides the more commonly used delivery types and related images but you can add your own types and related images or remove unnecessary types if you like. The related images will only show on the optional AlphaEntry™ MailRoom™ displays.

If you wish to add a delivery type, click on **Add a New Type** and enter the new delivery type name and related image if you have one. All images must be located in the “Images” folder and be 100 pixels wide by 100 pixels high.

To delete an unused delivery type, select the type and click the **Remove Type** button.


For more information on optional MailRoom display configuration,
Refer to Chapter 6: the Alpha MailRoom

For Package Tracking User instructions, see Pages 9 - 11

AlphaEntry™ Editor

Entering Resident Information



From the Main Editor Screen, touch/click on  The Directory Editor Screen will open.

 A screenshot of the "Directory" application window. The window has a blue title bar and a menu bar with "Residents", "Emergency", "Off Premises", and "Staff/Other". On the left is a scrolling list of resident names, with "Begley, Mara" selected. Below the list is a search box and a "Count: 588" label. The main area contains a form for editing a resident's record. It has tabs for "Call Buttons", "Location", "Access Codes", "Notes", "Photo", "Notification", "Restrictions", and "Door Monitor". The "Call Buttons" tab is active, showing three buttons: "Button 1 - Dial Telephone Number", "Button 2 - Dial Telephone Number", and "Button 3 - Dial Telephone Number". Each button has fields for "Number", "Button Label", and "Comments displayed next to Button:". At the bottom are buttons for "New", "Add", "Remove", "Cancel", "Import Residents", "Export Residents", "Create Blank Residents", "Export STR Devices", and "Close".

Resident Record Editing Screen

On the left side of this screen is a scrolling list of all residents in the database. From here you can highlight any existing resident to modify or delete their related information.

A search box is included below the list to make it easy to find a specific resident by first, last, or suite number, even with several thousand residents. As you enter the letters of the residents name, AlphaEntry™ will filter the list automatically.

The count of residents entered in the system is located below the search box and will change as search filters are applied.

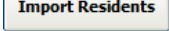
Editor Global Function Buttons

Across the bottom of the main Editor screen there are buttons for special operations to assist in adding residents to the database and extracting information from the database. These are described below.

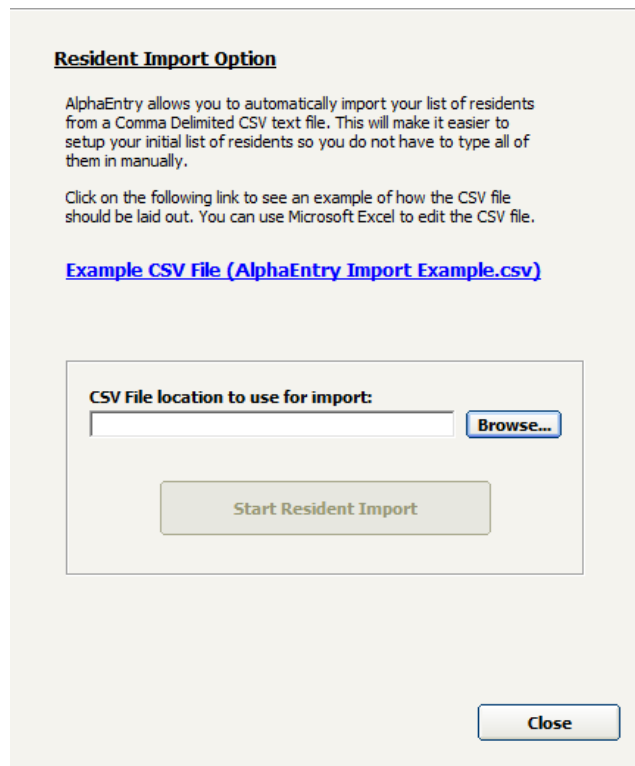
Import Residents

Importing Residents from another Data file

To assist in entering basic Resident information, AlphaEntry™ will allow the importing of Comma delimited files a.k.a. Comma Separated Values (.CSV). Excel files saved in .CSV format can be used providing the fields are setup in the proper order. Many other spreadsheet programs also support this file extension.

To start this process, click the  button on the bottom left of the Resident Editor main screen. The screen below will appear. The blue Example link on this screen demonstrates the proper format required to move your data successfully into the AlphaEntry™ database. If you wish to use the example as a template for your data you may do that also.

The conversion program looks for the “RESIDENTIAL LISTINGS” and the “COMMERCIAL LISTING” demarcations to differentiate between the way a commercial or residential listing is saved, so be sure to retain those between your two types of listings and enter your residential residents first.



Resident Import Option

AlphaEntry allows you to automatically import your list of residents from a Comma Delimited CSV text file. This will make it easier to setup your initial list of residents so you do not have to type all of them in manually.

Click on the following link to see an example of how the CSV file should be laid out. You can use Microsoft Excel to edit the CSV file.

[Example CSV File \(AlphaEntry Import Example.csv\)](#)

CSV File location to use for import:

NOTE: When the Resident Import Option is used, if you already have information in your resident database, it will append to the existing information and not overwrite your existing information.

NOTE: This option will only import Resident and Commercial listing information. It will not import any information for the Emergency, Off Premises, and Staff/Other entries.

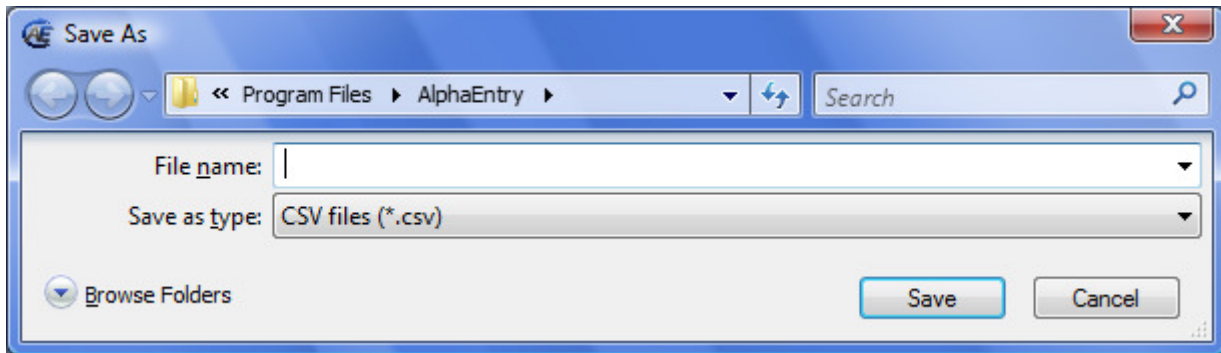
Export Residents

Exporting Residents to a Data file

AlphaEntry™ can export a copy of your resident database in a Comma delimited files a.k.a. Comma Separated Values (.CSV) so that you can use the information in a spreadsheet, such as Excel.

Export Residents

To start this process, click the **Export Residents** button on the bottom left of the Resident Editor main screen. The screen below will appear.



Determine the folder you wish to save it in, name your file, and press save to generate the converted file. Most spreadsheet and database programs support the .csv file format.

Create Blank Residents

Adding Blank Resident Records to the Database

Sometimes an initial set up of the database may be easier if the resident records are made first and then filled in as information becomes available. This button allows you to add X number of records to the database for this purpose which will be temporarily labeled **Res001** etc. until additional resident information is available.

Export STR Devices

Creating an STR device report file

This button allows you to make a .csv file of all the STR devices in the AlphaEntry™ database including their locations and related residents to assist in the physical set up and programming of the QwikBus™ system.

Adding, Editing, and Deleting Record Information

Adding a New Resident (Residential or Commercial)

Select the **New** button near the bottom of the window. This will create a new blank resident record.

Using the Radio Buttons, select whether the entry is a Residential or Commercial Listing.

Near the top of the window you may enter the “Suite” number or location within the building if you wish it to be listed on the Directory Screen, or leave the suite number empty so that the number will not show for privacy and security reasons.

RESIDENTIAL	COMMERCIAL
Enter the first name of the resident.	Enter the Business name as you want it displayed
Enter the last name of the resident.	Enter the Start sort position (for Alphabetizing)
Residents are alphabetized automatically by Last Name, then First Name or Initial. <i>(Residents can be listed by Suite Number also; see Option Settings on Pg. 29)</i>	The “Start Sort Position” allows the administrator to determine the sort position of the business name. In the example “Dr. William Gold DDS”. If the administrator wishes to sort the name under “ G ” that would be the 13 th character, so 13 would be entered in the “Start Sort Position:” text box.

Please Note: Spaces and punctuation are included in the number of characters.

Hiding a Listing

The **Hide** check box on the right side will make that button position invisible, preventing calling to that number or intercom but will leave the information available for system use. Hiding a listing enables you to store information that is not displayed at any of the lobby or concierge screens. Why would you want to do this?

If you create a resident record “**MAILMAN**” and give that record an access code of **MAIL123**, the mailman can buzz himself in to deliver and pickup mail. Then hide the listing so MAILMAN does not show up on the resident directory.

Creating non-displayed listings for any service personnel that come to the building frequently gives them easy access and also logs all their arrival times in the AlphaEntry™ event log.

Priority Listings

All priority listings will display at the beginning of the AlphaEntry™ directory in Yellow on Black.

You may wish to list the building super or the management office at the top of the screen for easy visitor access. The listing will also appear in its usual alphabetized location.

Email Address

Enter this resident’s main email address to give them the availability to access their information through www.AlphaEntry.com (requires an internet connection and AlphaEntry Premium). In the package tracking section, additional email addresses and text messaging information can be added.

Assigning Call Buttons to Resident Contacting Choices

Up to three different phone numbers or relay codes can be entered for each resident or business. A suite can be listed but not have a call button, or a button only visible to the concierge.

On systems that interface with “No Phone Bill” hardware, the necessary information passed to the N.P.B. equipment will be dependent on the manufacturer of the equipment and their code requirements. The necessary string for the relay equipment is entered in the “Dial Num.” Field.

Dependant on configuration, available connections are:

Regular C.O. Telephone Number	Dial Num
No Phone Bill Telephone Number	Dial Num (required NPB string)
No Phone Service- Dummy Phone	Related NPS Tel Relay
Standard Analog Intercom connection	Related Relay
STR QwikBUS™ Interface	STR QwikBus intercom in Apartment

Which buttons are displayed at a lobby panel is determined during each lobby panel configuration.

For each phone number entered, add the location and comments as needed. For example, you can enter the phone number for that suite, the cell phone number for that person, and a work number as well. In the comments, you can specify the times when each phone number should be used or other pertinent information.

As a good rule to follow, always make Button 1 the number that the visitors will use. In your system you may make a global decision to only allow visitors to see Button 1 and your concierge to view 1 & 2 or all 3.... This is variable at each entrance/master to allow for maximum versatility in configuring your facility.

Any combination of Phones and Relays can be combined. For instance, a suite with an open voice or handset intercom would use a relay, but a work phone or cell phone number for that resident, or an STR QwikBus™ intercom could be assigned to the other buttons (a dedicated phone line is required for telephone contact options).

Entering Phone Numbers (Standard Dialer type Telephone Entry)

Button 1 - Dial Telephone Number			<input checked="" type="radio"/> Dial Num	<input type="radio"/> Relay	<input type="radio"/> STR	<input type="radio"/> NPS Tel	<input type="checkbox"/> Hide
Number:	Button Label:	Comments displayed next to Button:					
212-555-0388	Suite	Do not call after 10:00 PM					

1. Choose button 1, 2, or 3, and click the radio button “**Dial Num**”
2. Enter the **Number** (999-9999 or 999-999-9999 format). If the phone number requires a “1” before dialing, the program will provide it automatically. If a PBX system is being used where a “9” or other prefix is required before dialing out, please refer to Appendix E and Pg. 23 for two ways of entering dialing prefixes. In AlphaEntry™ V3.1, international phone numbers can now be entered into the Number fields.
3. Enter a **Label** (such as: Suite, Cell phone, Work, Conference Room, etc.) if no label is given the button will just say **CALL**.
4. Enter optional **Comments displayed next to Button** (such as: No Calls after 10:00 pm., Call here 8:00 – 5:00, etc.) These comments are very important because they make AlphaEntry™ even more powerful as a concierge tool, as well as better communications with visitors to residents.

Entering N.P.B. Codes (No Phone Bill type Telephone Entry)

Button 1 - Dial Telephone Number			<input checked="" type="radio"/> Dial Num	<input type="radio"/> Relay	<input type="radio"/> STR	<input type="radio"/> NPS Tel	<input type="checkbox"/> Hide
Number:	Button Label:	Comments displayed next to Button:					
#1259	Suite	Do not call after 10:00 PM					

2. Choose button 1, 2, or 3, and click the radio button “**Dial Num**”
2. Enter the required No Phone Bill Equipment code in the **Number** field
3. Enter a **Label** (such as: Suite, Cell phone, Work, Conference Room, etc.) if no label is given the button will just say **CALL**.
4. Enter optional **Comments displayed next to Button** as required.

Entering N.P.S. Codes (No Phone Service or “Dummy” type Telephone)

The screenshot shows a configuration window for "Button 1 - Call 'No Phone Service' Location". It features several radio buttons: "Dial Num", "Relay", "STR", "NPS Tel" (which is selected), and "Hide". Below the radio buttons are three input fields: "Board/Relay:" with sub-fields for "3" and "4"; "Button Label:" with the text "Suite Intercom"; and "Comments displayed next to Button:" with the text "Do not call after 10:00 PM".

1. Choose button 1 and click the radio button “**NPS Tel**”
2. Enter the No Phone Bill Equipment code in the **Board/Relay** fields.
3. Enter a **Label** (such as: Suite, Cell phone, Work, Conference Room, etc.) if no label is given the button will just say **CALL**
4. Enter **Comments for Button** (such as: No Calls after 10:00 pm., Call here 8:00 – 5:00, etc.)

NOTE: NPS Available on 1st button only

Entering Relay Information (system must be equipped with Relay Boards)

The screenshot shows a configuration window for "Button 1 - Activate Relay". It features several radio buttons: "Dial Num", "Relay" (which is selected), "STR", "NPS Tel", and "Hide". Below the radio buttons are three input fields: "Board/Relay/Length:" with sub-fields for "3", "4", and "1.0"; "Button Label:" with the text "Suite Intercom"; and "Comments displayed next to Button:" with the text "Do not call after 10:00 PM".

Optional relay boards are used to interface with a new or existing in-house intercom system. AlphaEntry™ can be used with most any intercom system that requires a dry contact to initiate a call.

To enter information tying a relay to a button:

1. Click the radio button “**Relay**”. (After this is selected, the relay fields will appear.)
2. Enter the **Board** number in the first field
3. Enter the **Relay** number on that board in the second field.
4. The **Length** field, which determines the duration in seconds of relay activation, is set to the system default, but is adjustable here for each relay and its special applications.
5. Enter a **Button Label** (such as a Suite number or location.)
6. Enter **Comments for Button** (such as: No Calls after 10:00 pm., Call here 8:00 – 5:00, etc.)

Entering STR QwikBUS™ Information (Digital interface)

Button 3 - STR Device Dial Num Relay STR Hide

Device Address: (1 addr.) **Button Label:** **Comments displayed next to Button:**

Forward un-answered calls to call center

The STR QwikBUS™ interface allows direct operation of the QwikBUS digital system by AlphaEntry™ for standard intercom communications, concierge call down, optional emergency call devices, and additional features. The information below is for programming of the STR devices in the resident locations. For more detailed information on the STR QwikBUS interface, please refer to **Chapter 5 -The STR QwikBUS™/ AlphaEntry™ Interface** on pg. 51.

Entering information linking an STR QwikBUS™ Apartment Station to a button:

NOTE: All programming of STR QwikBUS™ equipment must be done from the PC directly connected to the TL333 translator.

Click the radio button “**STR**”. (After this is selected, new fields will appear.)

To program the apartment station into the system:

1. Be sure all other STR apartment intercoms are off.

2. Click the Button in the resident editor.
If this button is disabled, this PC does not have the TL333 attached to it.

3. Hold down the circle button on the apartment station until a beep is heard (approx. 5 seconds).
The beep indicates that the address for that station was sent to the PC through the translator. The address will now be saved in the AlphaEntry™ database and associated with this call button.

The number of station addresses associated with this button will display in the Button box after a successful programming. To program additional stations in this apartment repeat this step with each apartment station. The maximum number of phones in one apartment is (5) five. Exceeding five stations will overwrite the first station’s address.

4. Enter a **Button Label** (such as a Suite number or location.)

5. Enter **Comments for Button** (such as: No Calls after 10:00 pm., Call here 8:00 – 5:00, etc.)

6. Check the **Forward un-answered calls to call center** box if using this option. This allows the visitor to speak with a predetermined location if the call is not answered by the resident within a specified time.

Entering information linking a QwikBUS™ Apt. Station to a TT33-2 Entry:

When a TT33-2 device is detected on the system, a panel link button will also be visible in the STR device button box (shown above). This will enable the TT33-2 to call to the apartment station(s) when the corresponding panel button is pressed.



To link apartment stations to a TT33-2 panel:

1. Be sure all other QwikBUS™ devices are off except for the translator.

3. Click the **Panel Link** Button in the resident editor.
(If this button is not visible, this system does not have a TT33-2 attached to it.)

3. Press the associated button at the TT33-2 panel. It will link with all the devices specified in this button box. If additional devices are added to the apartment at a later time, it will link to them automatically.

Selecting Locations to Display Resident

In large facility or multiple building scenarios, you may want to list the resident only at a main gate, the Concierge's screen, and the resident's specific building entrance. To do this, check the boxes for all the locations that you wish the resident to be displayed. All available locations will be shown in the list box.

Enter the Floor number or name, and the Building if applicable. All entry/masters in the complex will be available in the drop down box. Whether or not these fields will be displayed is determined at the set up for each entry/master.

If the system is equipped with AlphaEntry™ MailRoom™, the mailroom drop down box will list all available Mail Rooms in the facility for display purposes.

Assigning Resident Access Codes

Resident Access codes are used to allow residents to “buzz” themselves in when AlphaEntry™ controls the locked entry door(s). The administrator can assign access codes, or residents can choose their own and have the administrator enter them into the database or set their own through www.AlphaEntry.com. (requires an internet connection and AlphaEntry Premium). The administrator must enable this feature (see Pg. 31– RESIDENT ACCESS).

AlphaEntry™ can store an unlimited amount of access codes per resident. The additional codes can be used for a visitor or service personnel that would need access to the residents apartment on a temporary basis. Access can be limited to specific days, date ranges and times by checking the appropriate boxes and setting the parameters in the Access Codes tab.

Access codes can be 3 to 15 characters consisting of numbers 0-9 and letters A-Z. By allowing combinations of 36 alphanumeric characters and requiring matching of the suite number, AlphaEntry™ provides a very high level of security. A log is kept for each system event including which access code was used, and a picture of the visitor, if equipped with a camera, for additional security/tracking ability. These logs can be found in your AlphaEntry folder.

Call Buttons | Location | Access Codes | Notes | Photo | Notification | Restrictions

Access Codes are used to easily allow residents or their visitors access to the building. You can setup as many different Access Codes below as you would like for each resident.

Code	Description
6559	Marcie Code
2469	Jim Code
JSB2	Janet - HouseKeeper

The following fields are optional. These fields allow you to specify particular dates and times that you would like specific access codes to work.

Dates: 7/31/2009 - 7/31/2009

Days: Mon Tue Wed
 Thr Fri Sat Sun

Times: 8:00 AM - 2:00 PM

Code: JSB2 New Code Remove

Descr: Janet - HouseKeeper

This box shows the resident’s access codes. This example already has two pass codes stored for this resident.

To remove or edit an existing code, highlight the code in the list box, then make necessary changes or hit the Remove button to delete the code entirely.

To add an additional code, Press the New Code button.

The above example shows a pass code being created for a housekeeper. The code, *JSB2*, has been labeled *Janet -Housekeeper* and is a restricted code in that the code will only allow entry on Mondays and Fridays between the hours of 8:00 am and 2:00 pm.

If the access should only be allowed for a specific date range, then the Dates checkbox would be checked and the date range entered into the two adjacent fields.

After the parameters have been set, hit the Add Code button to save the information.

Entering Resident Notes

Call Buttons | Location | Access Codes | Notes | Photo | Notification | Restrictions

Resident Notes/Comments:
Housekeeper comes Monday and Friday (JANET)
2006 GMC Envoy Blue KYD-6378 Parking Spot 62
(optional to be seen by Concierge)

Emergency Notes/Contacts:
Notify sister ANNA 631-555-9837 Severe allergies
(only seen when Emergency Call is received)

This feature is used in concierge applications to store needed information regarding a resident. If there are notes in this field, the concierge will see a clipboard icon on the right of the resident's call box. Clicking that icon will display the notes.

Emergency Notes are only used with the optional AlphaEntry™ emergency call system and will display **only** when an emergency call is received from the resident. These notes will be instructions to the concierge regarding notifications and/or other health related information pertinent to the resident. Both of these memo fields are only editable with administrator access through the editor.



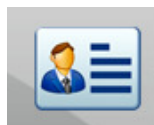
If the Clipboard Icon is visible after selecting a resident in AlphaEntry™, it indicates notes are available regarding this resident.

Entering Resident Pictures

The Photo tab allows you to display a picture of the resident to assist in identification by the concierge or other personnel with access to AlphaEntry™. Photos could be displayed at a visitor entrance but it is not recommended for security reasons.

You may insert resident pictures, in jpeg, bmp, or gif format. Select the picture by clicking the browse button. A copy will automatically be stored in the AlphaEntry™ database.

Although the program will resize the picture as needed, for best results it is recommended that you do not exceed a picture size of 400 wide by 300 high.



If this icon is visible after selecting a resident in AlphaEntry™, it indicates a resident picture is available.

Resident Notification for Package Arrival

There are two areas of the Resident record that are used for email features of AlphaEntry™. The primary email address is to be entered into the field next to the resident's or company name. This email is used to login to the AlphaEntry Premium area on the AlphaEntry website.

The other location for email is under the Notification tab, as shown below, which is used for package arrival and text messaging functions. Residents email addresses and/or mobile device contact information can be stored in AlphaEntry™ to enable automatic notifications of package arrivals to email accounts or cell phones capable of receiving text messages. These Email/Cell Phone addresses can also receive text messages sent from masters with message sending capabilities.

The screenshot shows the 'Notification' tab in the AlphaEntry system. It features two columns of email addresses for notification. The left column is titled 'Email Notification for Package Arrival:' and contains two email addresses: 'Terry1953@hotmail.com' and '2125558495@txt.att.net'. Below this list is a button labeled 'Send a Test Notification Email'. The right column is titled 'Emergency Notification for Family Members:' and contains two email addresses: 'Terrysdaughter@hotmail.com' and '2125553888@txt.att.net'. Below this list is another button labeled 'Send a Test Notification Email'. At the bottom of the form, there is a section for adding mobile phone numbers. It includes a text input for 'Mobile Phone #:', a dropdown menu for 'Mobile Carrier:', and two buttons: 'Add to List of Emails' and 'Add to List of Emergency Emails'. A note above the mobile phone fields states: 'Text messages can be sent to mobile devices. Enter the phone #, select the carrier and click the Add button.'

Addresses listed on the left will be sent notification messages when a package or message has arrived for them. Addresses listed on the right will be sent notification messages in the event of an emergency related to the tenant. For multiple emails, please list them on separate lines.

To add a mobile text message address, enter the Mobile Phone number and then select the carrier from the drop down box. After filling in these two fields, click either the **Add to list of Emails** or the **Add to list of Emergency Emails** button and the correct address will be automatically generated and added to the selected Email list.

A button to create a test send has been added to allow the administrator to confirm notification addresses are correct and operational. When this button is pressed, the editor will send a test message.

Please note that Internet access is required for these functions.

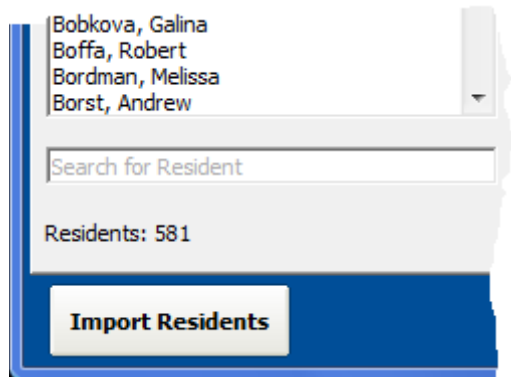
Resident Restrictions

Restrictions pertain to the optional QwikBus™ interface. For more information on this please see Resident Restriction Screen information on Pg. 60.

Door Monitoring

Door monitoring is part of the optional QwikBus™ interface. For more information on this please see Door Monitoring information on Pg. 68.

Resident Screen Search Feature



The screenshot shows a software interface for searching residents. At the top, there is a list of resident names: Bobkova, Galina; Boffa, Robert; Bordman, Melissa; and Borst, Andrew. Below the list is a search input field with the placeholder text "Search for Resident". Underneath the search field, it displays "Residents: 581". At the bottom of the interface, there is a blue button labeled "Import Residents".

To simplify finding specific residents in a large facility with many resident listings, AlphaEntry™ includes a Search field, located at the bottom of the Resident list, which will search for First name, Last name, Company name, or Suite number.

Entering Emergency Contacts

This section is used for what is considered Emergency contacts only (i.e.: Police numbers, Fire Department, and Medical numbers). You may have some emergency numbers for building issues (i.e. Elevator Emergency Repair, plumber, off-site building management) that you would prefer to enter in here as well.

Select the **Emergency** tab.

Press the **New** button near the bottom of the screen.

Enter the name of the contact, phone number, button label, and related comments in the appropriate fields as shown in the previous section.

When all the information is entered and verified, Press the **Add** button to save the contact to the database.

Entering Off Premises Contacts - (Frequently called Phone numbers in other locations)

This section is used for Phone numbers at other locations that the concierge would call on a regular basis such as, Parking Garage, Restaurants, Drug Stores, Cleaners, Florists, etc.

By entering these types of numbers here, the concierge will have quick access to important phone numbers.

Press the **New** button near the bottom of the screen.

Enter the name of the contact, phone number, button label, and related comments in the appropriate fields as shown in the previous section.

When all the information is entered and verified, Press the **Add** button to save the contact to the database.

Entering Staff/Other Contacts - (Frequently called Facility Staff or locations)

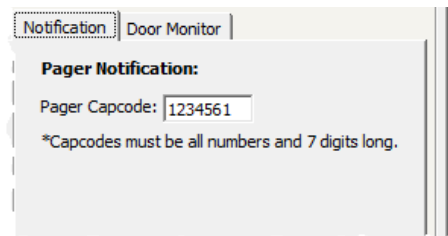
This section is used set up communications with employees or locations in the facility that the concierge would call on a regular basis such as, Parking Garage, Restaurant, Main Office, Valet, Housekeeping, etc.

By entering these types of contacts here, the concierge will have quick access to important staff and locations.

Press the **New** button near the bottom of the screen.

Enter the name of the contact, contact information, button label, and related comments in the appropriate fields as shown in the previous section.

If your AlphaEntry™ system is equipped with a paging transmitter, you can add pager capcode information under the notification tab. This feature is only available in the Staff section.



The screenshot shows a software interface with two tabs: 'Notification' (selected) and 'Door Monitor'. Under the 'Notification' tab, there is a section titled 'Pager Notification:'. Below this title is a text input field labeled 'Pager Capcode:' containing the number '1234561'. Below the input field is a note: '*Capcodes must be all numbers and 7 digits long.'

When all the information is entered and verified, Press the **Add** button to save the contact to the database.

Editing contacts

To edit a contact of any type, highlight the selected entry from the appropriate list on the left of the Contacts Editor Screen, and make your changes to the fields as needed.

The updated information will be saved to the database automatically.

Deleting contacts

To remove a contact of any type, highlight the selected entry from the appropriate list, and press the “Remove” button.

Enter the Security code to complete the deletion.

Save Settings

When exiting the Editor program, AlphaEntry™ will ask if you would like to launch the application.

Choosing “Yes” will automatically launch the AlphaEntry™ application.

Choosing “No” will bring you back to Windows.

The STR QwikBUS™/ AlphaEntry™ Interface

Alpha Communications, in conjunction with STR Elektronik GmbH, has developed an interface between AlphaEntry™ and the STR QwikBUS™ system. QwikBUS™ is a looped 2-wire, digitally addressable intercom system that interfaces with, and is controlled by, AlphaEntry™. This enables AlphaEntry™ to provide many unique and valuable additional features such as direct digital intercom communication with call down capabilities to a concierge as well as up to four other locations, a highly optioned emergency call system with pull cords and other available devices, resident check in, building alert inputs, door monitoring, custom vandal resistant stainless steel lobby panels and sub-panels, for applications where touch-screen panels are not desirable, and much more.

The link between the two systems is the TL333 translator, which allows AlphaEntry™ and the STR Data Bus to share information, receive and send commands to each other, and unifies them to operate as one dependable system. There is only one translator in a system, which must be connected between one of the AlphaEntry™ PCs and the STR Primary Data Bus.

If your facility will be using the STR QwikBus interface, this chapter will cover system configuration, staff operation, and resident operation.

STR Configuration (11th Tab)

Will this Entry be calling STR devices:

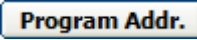


If your facility will be using the STR QwikBus™ system in conjunction with AlphaEntry™, then click the Yes radio button to enable the rest of the configuring questions.


STR Configuration (11th Tab) – continued

The STR Translator will be connected to this entry on Serial Comm Port:

Enter the port number that the serial cable (or serial to USB cable) between the translator and the PC will be connected to. AlphaEntry™ will only allow one translator to be connected to the system and all STR component address programming must be done through this PC. Only the PC directly connected to the translator needs to check this box. Additional entry/masters do not require this box to be checked to communicate with the STR devices.

Programming the STR device that will be used at this entry:

If this is a concierge master, you will program the handset or open voice station by clicking the  button and then holding down the circle button  or  on the station device for approximately 5 seconds until the station gives a confirmation beep. After successful programming the device address (in hexadecimal) will be listed in blue to the right as shown in the above example. There are over 65,000 address combinations.

To clear the device address field, click the  button.

If this entrance will be using a TT-33 device, instead of programming through the system, you will be prompted to enter the device number set by the dipswitches at the TT-33 type device (TT33, TT33-2, or TSMT).

NOTE: Programming of **all** STR devices must be done at the PC where the TL333 Translator is connected.

This entry will be using a handset for communication:

If this box is checked then this station will use an HT333 (concierge) handset. If not checked, it will use an FSE1500 style open voice station.

Enable Call down to this entry:

In a concierge scenario, enabling this feature by checking the box will allow other FSE1500 style devices to call down to this station by pressing one of three buttons. Specify the Circle Button, Button 1, or Button 2. Specifying the same button for two stations (example: two concierges) would ring both stations when pressed. The first to answer it would get the call and will automatically clear the call from the other called station(s).


The three buttons can be programmed to call different QwikBus™ entry locations within the system. This is a global configuration that programs these buttons for all stations.

Note on setting the Concierge handset VOX sensitivity:

In a half duplex system, the louder side of the conversation transmits and the quieter side receives.

If the concierge lobby area has a high ambient noise level, the volume on the concierge phone may always be higher not allowing the apartment station to talk down without shouting. To lower the sensitivity/volume level of the concierge mic, pick up the concierge handset and hold the Function Button (The bottom one that lights up) down for about 3 seconds and it will beep 1, 2, or 3 times. The default equal balance is 2. Setting it for three beeps is the setting that will work best in a noisy concierge environment. Setting it for one beep is the setting that will work best if the apartment noise levels are high. It will cycle through 1, 2, 3, and then back to 1 again. For each level change you must hang up the receiver to move to the next selection otherwise it will switch to the ring volume control function.

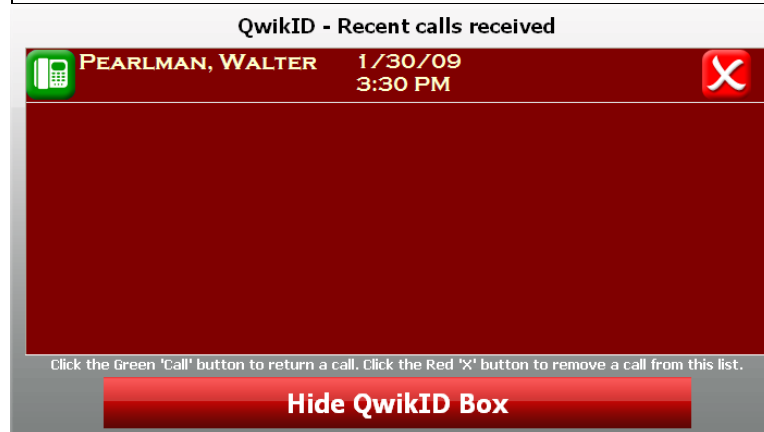
Enable Door Release for this entry:

When this box is checked the fields will be visible to enter the Relay board, Relay number, and the number of seconds you want the door to be activated. This applies to open voice FSE1500 devices only. This will close the specified relay for the specified length of time, when the key button  at the inside station is pressed.

This AlphaEntry installation will be using push button panel(s):

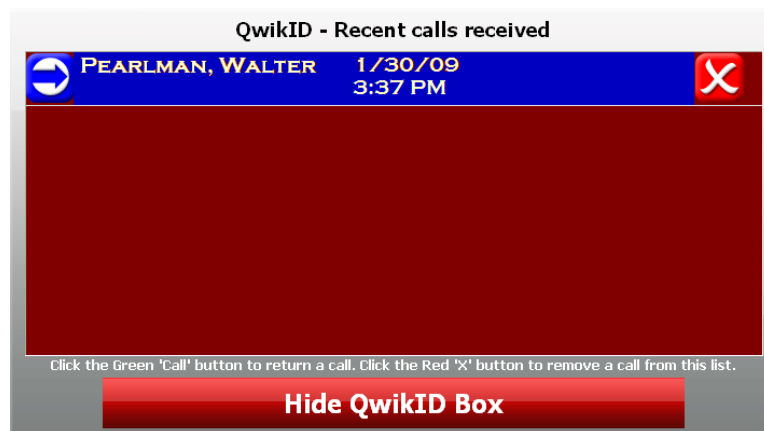
Because the entry/master you are currently configuring is indicated as the one to be attached to the TL333 Translator, which will read these panels and send the information to AlphaEntry™, this check box is visible and related to this particular entry/master even though this is a global decision for the entire system.

QwikID screen for QwikBus Call Down



When a call down is placed to a concierge unit from a QwikBus device, the QwikID Box will pop up with an intercom icon as shown on the left. The return call back procedure is the same as the standard telephone type in that you can click the icon and then lift your handset to return the call.

Once the call has been returned and the resident has answered, the call bar will turn blue as shown in the second picture.



If you need to, you have the capability to transfer their call to another QwikBus device.

As an example, the resident you are speaking with wishes to contact the garage to have their car brought around. You can transfer their call to the garage valet by clicking on the blue transfer icon on the left and then select the device to call from the staff/location, or the main directory then hang up. The receiver of the call must have a QwikBus FSE1500 intercom to receive the call.

Optional S1 and S2 Apartment Inputs



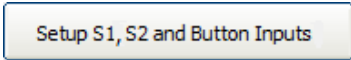
Emergency Call Alert Screen

An optional model ECD2 dual input connector attached to an FSE1500 series apartment station will allow easy connection to emergency devices, smoke detectors, wireless pendant receivers, motion sensors, or other dry contact signaling inputs.

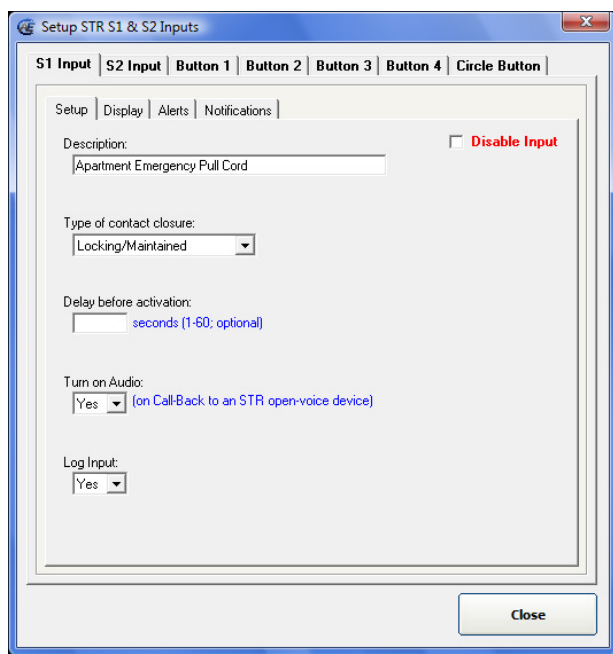
These connections are the heart of the AlphaEntry™ emergency call system providing your facility with voice communications to a master station for regular resident/staff communication and emergency response capabilities, as well as many invaluable features designed for assisted living, but versatile enough to be configured for any facility in a number of ways that no other system can.

The ECD2 plugs into the FSE1500 open voice apartment station and gives two connections, which can accept either momentary or latching dry contact devices, which are globally configured at the AlphaEntry™ PC that is directly connected to the TL333 Translator.

Configuring the S1, S2, & Button Inputs

Click the  button to open the screen below.

NOTE: These settings are global. S1, S2, Buttons 1 through 4 in all apartments will be assigned the same values. However, some customization for each apartment can be done through the Resident's individual screen. Please see Pg. 59 - Resident Restrictions Screen.



The following pages are explanations of the configuration screens for the S1 and S2 inputs and Button 1 through 4 assignments.

These settings are global for all the S1, S2, and Buttons 1 through 4 in the system. Note that all inputs/ buttons have separate tabs and can be configured individually for different purposes.

NOTE: Buttons 3 & 4 are only available with the QwikBus™ video monitors.

The S1/S2/Button Input Setup Box

Setup STR S1 & S2 Inputs

S1 Input | S2 Input | Button 1 | Button 2 | Button 3 | Button 4 | Circle Button

Setup | Display | Alerts | Notifications

Description: Apartment Emergency Pull Cord Disable Input

Type of contact closure: Locking/Maintained

Delay before activation: seconds (1-60; optional)

Turn on Audio: Yes (on Call-Back to an STR open-voice device)

Log Input: Yes

Close

Description: Enter a label for the devices that will be connected to all S1 or S2 inputs. Enter a label for Buttons 1,2,3, & 4 if used.

Disable Input: Checking the box in the upper right hand corner will disable all S1, S2, B1, B2, B3, or B4 inputs (selected individually from their respective screens).

Type of contact closure:

From the drop down box, select one of the two options, either a locking/maintained device or a momentary/self resetting device.

Delay before activation:

If a resident actuates a latching type device, this allows the device to be reset within the allowed delay time without setting an alert. If the contact is still closed after this grace period, the system will react as configured. This option is only available to a latching/maintained device and will be disabled in the case of a momentary/self-resetting device.



There are many devices available which are compatible with AlphaEntry™. For specific needs, contact us for additional choices and customized solutions.

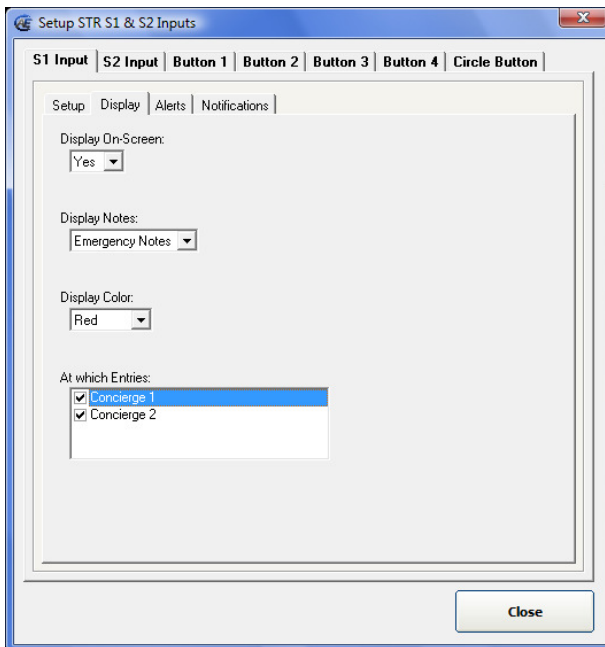
Turn on Audio: Normally, if resident suites are equipped with STR open voice stations, when the system receives an emergency call, the concierge will pick up their handset when alerted, and ring back the calling resident station. The resident would then press the ON button and talk. If **Turn on Audio** is enabled, when the concierge calls up, the resident station will sound a warning beep (that voice is being automatically enabled) and then the concierge or responder can speak directly to the resident through the open voice station. In a situation where a resident cannot reach the ON button due to distress this is a very important feature.

Please keep in mind that emergency devices associated with the resident's station may be located distant to the station itself, possibly even in a different room, which would hinder voice communications or the resident may be unable to reply, so the staff should be instructed to physically respond to these calls if there is no voice communication.

Log Input: Select **Yes** or **No** from the drop down box.

Selecting **Yes**, will log date and time of closure each time the device is activated.
Selecting **No**, will not log the device closure.

The S1/S2/Button Input Display Box



Display On-Screen: Select **Yes** or **No** from the drop down box.

When **Yes** is selected, activating this device will cause a box, containing resident information, to pop up with a visual or visual/audible alert, depending on configuration, on all checked entries and masters enabled to receive emergency or notification calls.

If **No** is selected, activating a device will not cause an alarm. This option is for simple logging of a closure without notification. An example of this would be if you want to record date and time of a door opening in the event log using a normally open magnetic reed or contact switch.

Display Notes: AlphaEntry™ can store notes for each resident that will display on screen when a device is activated.

If **Resident Notes** is selected then the notes found in the Resident's Note section of their individual record will be displayed. This is useful for sending preformatted instructions to a specific location.

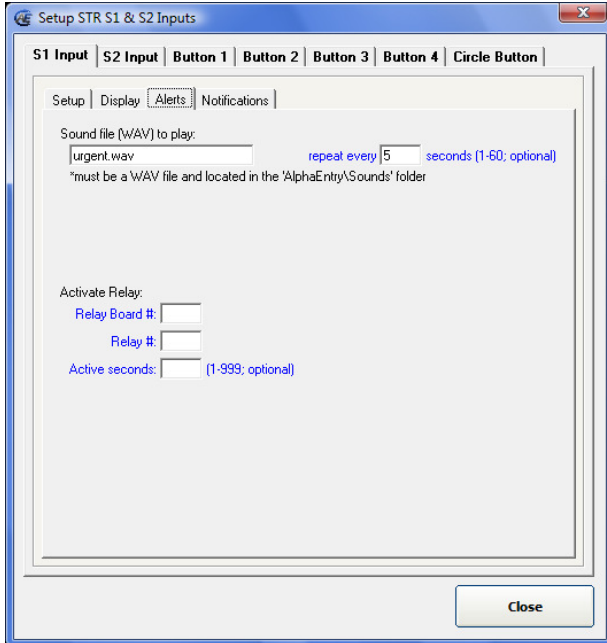
If **Emergency Notes** is selected, then the information found in the Emergency Note section of their individual record will be displayed (only when an emergency call is received). This may include doctor contacts, relative notifications, medical history, or other relevant information.

When a device or button call is received from that resident's station, the appropriate notes will be displayed on screen. Selecting **None** will display no notes related to the device/ button.

Display Colors: You can specify a Red, Blue, or Green notification pop up box to differentiate between different types of calls.

At which Entries: Device or Button calls can be displayed at selected entry/masters depending on the needs of your facility. All locations on your system will be listed here. Check each location that will receive emergency/notification calls. Please note that entries without QwikBus™ voice devices will not be able to respond audibly through the QwikBus™ system but can still receive audible/visual notification of an emergency device being activated.

The S1/S2/Button Input Alert Box



Sound file (.wav) to play: When a closure is detected, a .wav file entered in this field will play at entry/masters that are configured to accept emergency/notification calls and will repeat every 1 to 60 seconds until the device is reset or call is acknowledged. The .wav file must reside in the *AlphaEntry/Sounds* folder of EACH emergency call receiving masters. Be sure that the speakers are always on for the emergency call receiving masters. Please note that you can silence the tone with an acknowledgement but you cannot remove the call from the screen until the latching device is physically reset at the location. Momentary contact device calls can be fully reset.

Activate Relay: Some facilities may need visual or audible signaling when an emergency device is activated such as bells, sirens, or strobe lights. Some may want to trigger an auto-dialer.

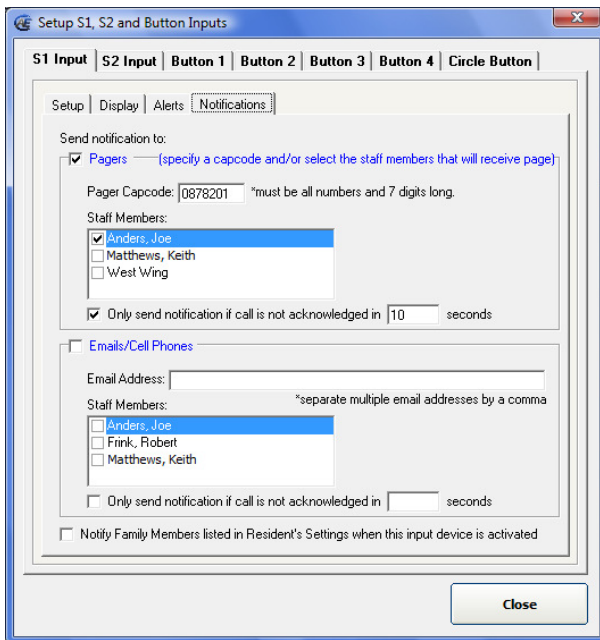
To set a relay to close when an S1 or S2 device is activated, enter the specific Relay Board, Relay number on that board, and the number of seconds you wish the relay to remain closed (ranging from 1 second to 999 seconds).

If you do not put a value in the Active Seconds field, the relay will remain closed until the device is reset or the emergency call has been acknowledged. If the device is a momentary contact type, then the relay will operate until the emergency call has been acknowledged.

If you put a value in the Active Seconds field, the relay will open even if the device has not yet been reset or the emergency call has not been acknowledged.

If a Normally Closed Relay is needed for a specific application, the jumper for the specific relay to be used can be switched on the relay board, enabling the relay contact to open on activation (normally closed operation).

The S1/S2/Button Input Notifications Box



Global setup of S1, S2, & Button Notifications

To send Notifications to Pagers

Check the pagers box to activate this feature. You may enter a pager capcode in the field to send the notification to all pagers within that capcode group.

Pagers allow up to 6 capcodes so that they can be programmed to be part of several zones or groups as well as an individual receiver making this system extremely flexible for all applications.

Any staff member with a pager listed in their record will be included in the Staff Members drop down list. Their individual pager capcode is located in their staff record under the Notifications tab. Select the staff members to receive pages by checking the appropriate boxes. Please note that if a staff pager is checked to be notified and he is also part of a group to be notified, he will receive two pages for this event.

“Only send notification if call is not acknowledged in XX seconds”

By checking this box and putting in a delay value, this allows time for someone at a master station that normally receives calls to respond to the call before the general notifications go out. This reduces unnecessary alarms to pagers, emails, or cell phones and, at the same time, insures that a notification will go out if a call is made and someone is not at a master station to respond.

To send Notifications to Email / Cell Phones

Specific emails can be entered here to keep additional parties informed. Separate multiple email addresses with a comma. These addresses do not have to be in the database but would be used to keep essential parties in the notification stream.

Remember that emails will only alert people when they check their email! For real-time notification, these contacts should be entered as a Staff record with their necessary contact information to receive text messages or pages.

For notification of parties related to a specific resident, check the Notify Family Members box. Resident specific email and text message/cell phone information can be entered in the resident's record on the Notifications tab. (*See Pg. 49*)

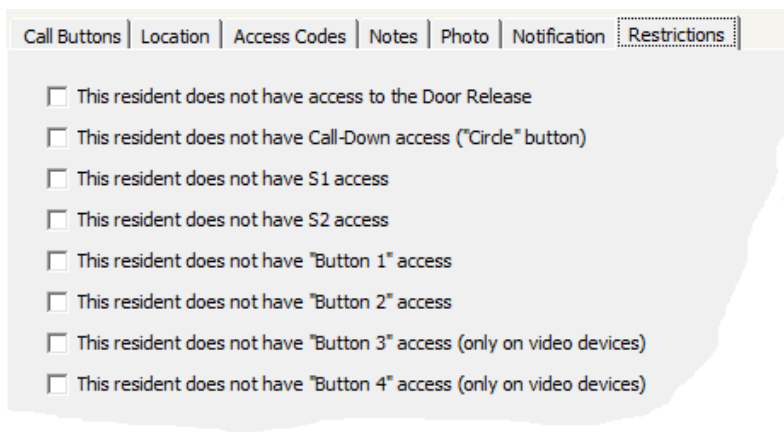
All of these methods can be used to send notification to all that require it.

“Only send notification if call is not acknowledged in **XX** seconds”

By checking this box and putting in a delay value, this allows time for someone at a master station that normally receives calls to respond to the call before the general notifications go out. This reduces unnecessary alarms to pagers, emails, or cell phones and, at the same time, insures that a notification will go out if a call is made and someone is not at a master station to respond.

Resident Restrictions Screen

This screen is located in the Directory in the resident's record under the Restrictions tab.



The screenshot shows a software interface with a tabbed menu at the top: Call Buttons, Location, Access Codes, Notes, Photo, Notification, and Restrictions. The Restrictions tab is selected. Below the tabs is a list of seven checkboxes, each with a corresponding text label:

- This resident does not have access to the Door Release
- This resident does not have Call-Down access ("Circle" button)
- This resident does not have S1 access
- This resident does not have S2 access
- This resident does not have "Button 1" access
- This resident does not have "Button 2" access
- This resident does not have "Button 3" access (only on video devices)
- This resident does not have "Button 4" access (only on video devices)

Depending on the type of facility and residents, you may have need to allow some residents, but not all residents, door access, concierge call down, or emergency call access. To allow the most flexible configuration for the facility needs, these features can be enabled globally, but some residents can be restricted from using them on a case-by-case basis. To establish restrictions for a specific resident use the Restrictions tab located in that resident's record to check off the features that they will not be permitted to use.

NOTE: These settings only control the QwikBus portion of AlphaEntry™. Door release capability through the telephone entry portion, if used, will still be available unless globally disabled.

AlphaEntry™ Mailroom™



Lobby Panel Package Notification



Mail Room Package Notification

INTRODUCTION

One of the many headaches of building management, is keeping track of incoming deliveries to your residents, notifying them, and keeping track of which packages have not been picked up yet.

AlphaEntry™ allows your doorman, concierge, or shipment receiver to manage resident packages from their AlphaEntry™ interface, and maintains a log of when deliveries are received in, as well as when your residents pick up their packages.

This feature gives your designated employee(s) the ability to display package arrivals to residents through the entry panels, or at a concierge station depending on the needs of your facility. You can even send emails and/or text messages automatically to your residents that a package has arrived for them!

AlphaEntry™ MailRoom™ is an add on module designed to seamlessly integrate with your AlphaEntry™ products to provide display monitors in your mailrooms, common areas, or other locations to alert the residents that they have packages awaiting pickup.

AlphaEntry™ MailRoom™ is fully customizable to suit the unique requirements and security concerns of your facility.

AlphaEntry™.... The future of building communications, today!!!

Starting AlphaEntry™ MailRoom™



To start MailRoom™, Double Click on the AlphaEntry™ MailRoom™ icon on your display.


SQL Server Database Login

Please enter the following information for your AlphaEntry™ SQL Server

SQL Server Address: Port:

SQL Username: SQL Password:

NOTE: On initial start up only, you will be asked to specify where the AlphaEntry™ database is located.

Please fill in the required information on the screen and press the  button.

Exiting AlphaEntry™ MailRoom™

Welcome to the East MailRoom!
4:09P - Farmingdale, NY (11735)

Tonight Partly Cloudy L: 43°F
Tomorrow Partly Cloudy L: 49°F H: 57°F
Friday Few Showers L: 58°F H: 65°F

AlphaEntry™ MailRoom v1.0.0.0 ©2008-2009 Alpha Media, Inc. All Rights Reserved.

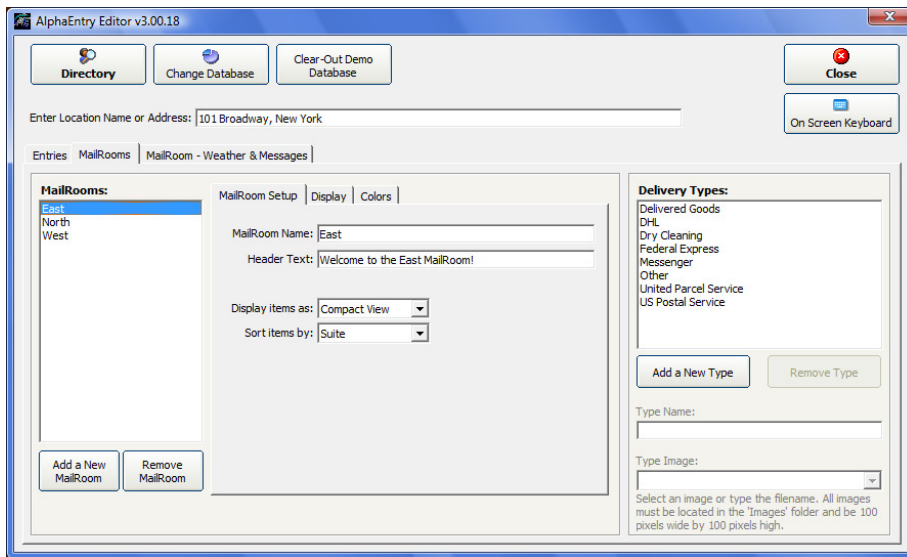
B11 (Milton Beale) United Parcel Service Friday Jan 09 @ 11:56 A	B11 (Milton Beale) Dry Cleaning Friday Jan 09 @ 12:14 P
B11 (Milton Beale) United Parcel Service Friday Jan 09 @ 12:14 P	B18 (Serge & Marina A...) United Parcel Service Monday Apr 27 @ 1:19 P
D20 (Yelena Feldman) Federal Express Friday Dec 12 @ 10:42 A	D20 (Yelena Feldman) Federal Express Friday Dec 12 @ 10:42 A
F01 (S. Leyz) Messenger Friday Dec 12 @ 11:51 A	F01 (S. Leyz) Messenger Friday Dec 12 @ 11:51 A
F18 (William Kerr) US Postal Service Friday Dec 12 @ 10:50 A	F18 (William Kerr) US Postal Service Friday Dec 12 @ 10:50 A

To stop MailRoom™, Double Click anywhere on the Dark Gray Header and the program will close or hit Esc if you have a keyboard connected.

NOTE: If a password is required to end the program, you will be asked to enter it at this time. The password will usually be the same as the AlphaEntry™ Editor pass code.

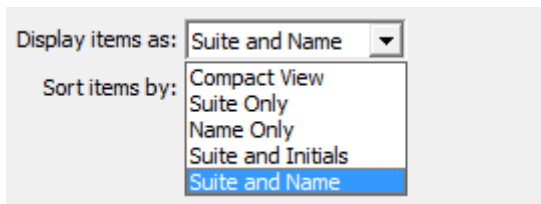
AlphaEntry™ MailRoom™ Editor Configuration

When AlphaEntry™MailRoom™ has been installed in your system, additional tabs will appear in your main AlphaEntry™ Editor which will enable you to configure your display(s) in each of your mailrooms or common areas. You can have as many display monitors as you need and each can be configured independently. In multiple mailroom scenarios, you can select in each resident's record which mailroom you wish to associate that resident with. This way, this resident's package information will be directed only to the display monitor in the mailroom they would normally use.

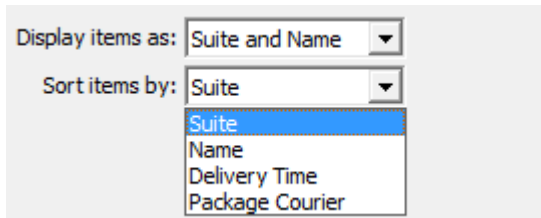


In the example to the left, The MailRooms tab has been selected and the East MailRoom has been highlighted.

On this screen you may enter the Header text you wish to display at this location as well as the information and order you wish to display for each package entry.



Select the preferred information you wish to display from the **Display** drop down box.



Select the preferred method you wish to sort the information from the **Sort** drop down box.

Package Information Refresh Rate

The screenshot shows a software window titled "MailRoom Setup" with three tabs: "MailRoom Setup", "Display", and "Colors". The "Display" tab is selected. Inside the window, there is a section titled "Display Settings" with a thin border. Below this title, there are two main sections. The first is "For a Single-Page display," which contains a text label "Display for" followed by a text input box containing the number "10" and the text "second(s) before refreshing list". The second section is "For a Multiple Page display," which contains three rows of settings: "Delay before scrolling begins:" followed by a text input box containing "1" and "second(s)"; "Delay after scrolling stops:" followed by a text input box containing "1" and "second(s)"; and "Scroll Speed:" followed by a text input box containing "2".

Dependent on the number of packages you have in the system, AlphaEntry™ MailRoom™ will determine whether to display one screen, or a scrolling screen when it is necessary to display a large amount of packages. Either way, you can specify how often the screen will refresh with updated information.

For a Single page Display: The screen will refresh every 1-60 seconds depending on the number you put in this box. The default is 10 seconds.

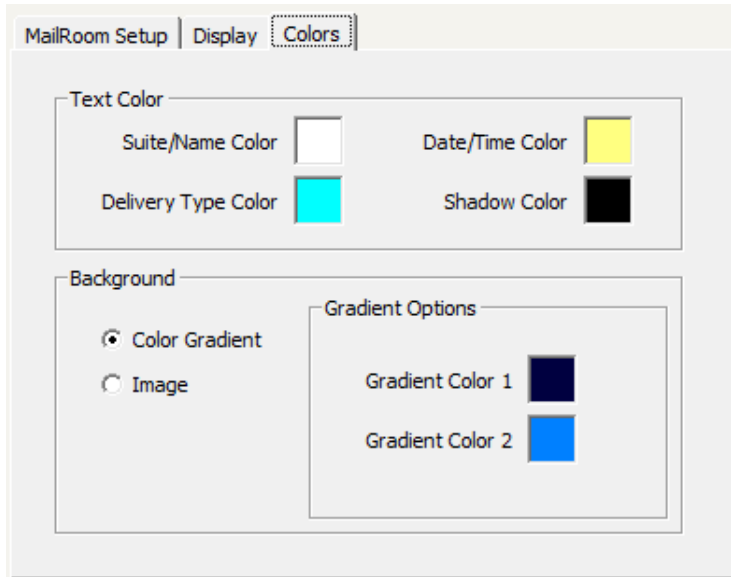
For a Multiple Page Display: When the number of packages exceeds what will fit on a screen at one time, the display will scroll from the top of the list to the bottom of the list, wait for a set amount of time, then it will start the refreshed display from the top again.

Delay before scrolling begins: You may set the delay at the top, which is the time between it first appearing on the screen until it starts to scroll, from 1 to 60 seconds.

Delay after scrolling stops: You may set the delay at the bottom, which is the time between the end of the list on the screen is shown until the screen refreshes and starts from the top of the list, from 1 to 60 seconds.

Scroll Speed: Depending on the size of the monitor and the display resolution, you may find that the scroll speed is too fast or too slow. You may set the speed of the scrolling from 1 to 5 using this field.

Display Background Settings



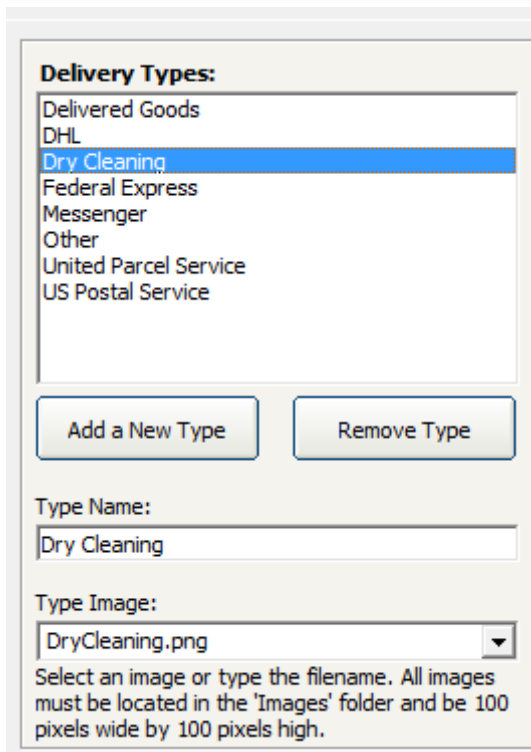
The Display Settings tab allows you to set the background colors for the display. Each text field can be set separately as well as the text shadow color.

The Background can be a gradient between your choice of 2 colors, or you can use an image of your choice in the background by selecting the Image radio button.

There are several images stored in the AlphaEntry/AlphaEntry MailRoom/Backgrounds folder, or you can add your own images to this folder, and display them as a background also.

Recommended picture size is 1024 X 768.

Delivery Types Settings



AlphaEntry™ MailRoom™ comes with default delivery types installed, which should cover most if not all scenarios however, you may install your own types and related graphics if needed.

To add a new delivery type, click on **Add a New Type**, enter the new name, and assign a new graphic image to it. You may choose one of the included graphics or create your own. The requirements for additional delivery type icons are that they are .png files sized 100 pixels wide by 100 pixels high.

If you see default delivery types that you do not see as being needed you may delete them using the **Remove Type** button, however, it may be a good idea to retain them for possible future needs.

Weather Information Settings

The screenshot shows the 'MailRoom - Weather & Messages' settings page. At the top, there are tabs for 'Entries', 'MailRooms', and 'MailRoom - Weather & Messages'. Below the tabs, a heading reads: 'A Weather Code can be used to display the current weather status on your MailRoom screen.' There is a search section with the text 'Search by U.S. Zip Code, or City' and a text input field containing '11735'. A 'Search' button is to the right of the input field. Below the search box, there is a list of search results: '(e "Paris, France", "11735", "Springfield")'. At the bottom of the form, there is a 'Weather Code' field with the value '11735' and a 'Unit Measurement' dropdown menu currently set to 'Standard'.

To add weather information to the top of your AlphaEntry™MailRoom™ displays, enter your U.S. zip code, or nearest major city into the search box. Select the appropriate line in the search results.

In the Unit Measurements drop down box, please choose between Standard (Fahrenheit- Inches) or Metric (Celsius – Centimeters)

MailRoom™ Messages

The screenshot shows the 'MailRoom Messages' management interface. At the top, there are two buttons: 'New Message' and 'Delete Selected'. Below these buttons is a list of messages. The first message is: 'Don't forget to throw trash in its proper place!'. The second message is: 'Tenant Picnic Saturday June 19 2:00 pm. rain or shine'. The third message is: 'Please park in your assigned spot only!!'. Below the list is a 'Message Text:' field with a text input area. Underneath the text field are several options: 'Dates:' with two dropdown menus set to '1/21/2010'; 'Days:' with checkboxes for 'Mon', 'Tue', 'Wed', 'Thr', 'Fri', 'Sat', and 'Sun'; and 'Times:' with two dropdown menus set to '12:00 AM' and '11:59 PM'. At the bottom, there are two dropdown menus: 'Image:' with the prompt 'Select an image or type the filename.' and 'MailRoom:' with the prompt 'Select MailRoom this Message will appear on.'.

TO ADD messages to the MailRoom™ display monitor, click on the **New Message** button.

Add the message line to the message text box.

Optionally, add any date range by clicking the appropriate box specifying when you want the display to show. You can specify Date range, specific days of the week, or specific times of the day in combination.

Select an optional image if needed, and specify the mailroom(s) you wish this message displayed in.

When you have finished entering the information, you can exit the screen, or click new message to add the next message.

TO EDIT the message, highlight it from the list of MailRoom Messages and make the necessary changes below.

When you have finished changing the information, you can exit the screen, or click new message to add the next message.

TO DELETE a message, highlight the message and press the **Delete Selected** button. Click OK on the confirmation box.

AlphaEntry™ Paging Interface

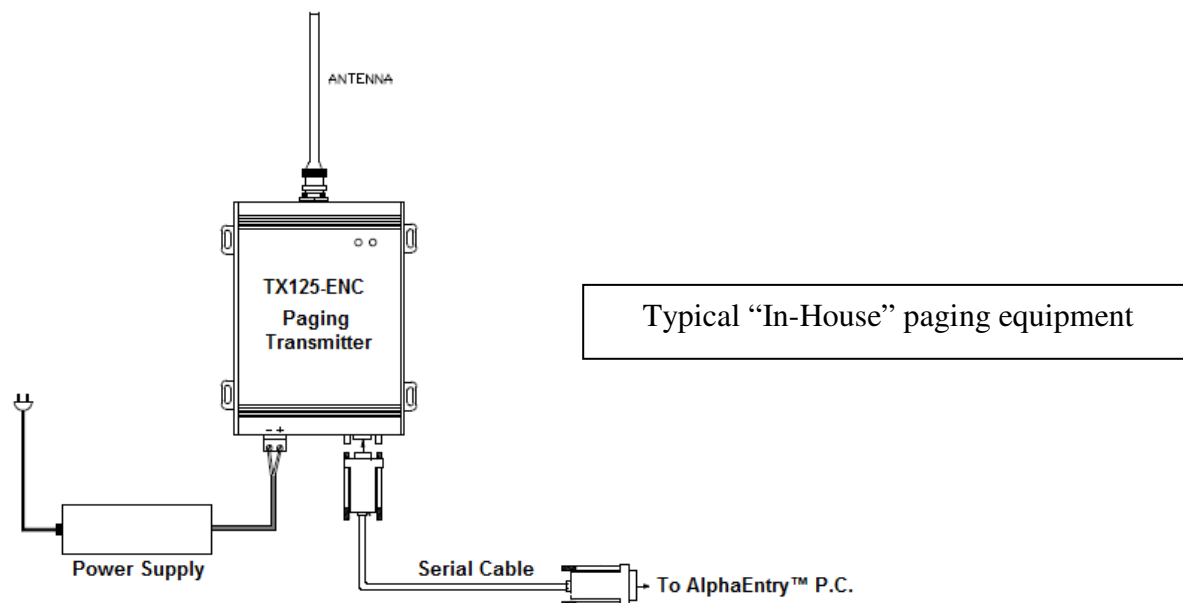
Being able to instantly contact staff in an urgent situation is a very important part of building communications. Whether your AlphaEntry™ system is being used in an assisted living facility to contact medical personnel, or an apartment complex where a concierge needs to get in touch with maintenance or other staff, a pocket pager system is an invaluable tool. AlphaEntry™ has these features built in and only requires nominal additional paging hardware.

This section discusses the additional equipment needed, configuration, and installation of these additional components to enable any AlphaEntry™ master to contact any and/or all pager equipped staff members by entering plain text into the screen, and also to send automatic messages identifying calling locations and residents, in the event of an emergency, to specific staff or groups of staff depending on your facilities needs.

Due to the flexible design of AlphaEntry™, many other ways of using the paging system are easily available to you to solve communication issues unique to your facility.

For information on adding pager addresses to a Staff member record, see Pg. 51.

For information on adding pager addresses of Staff members to emergency calls, see Pg. 59.



AlphaEntry software has built-in pager message encoders and therefore needs no additional equipment other than the pager transmitter with power supply, and the serial cable from the PC.

Door Monitoring Feature

AlphaEntry v3.1 includes the option to setup "Door Monitoring" with AlphaEntry QwikBus™ FSE1500 or VFSE1500 units. When the system is QwikBus™ equipped and this feature is enabled, all residents have the option to arm/disarm door monitoring for added security in their building.

Note: If an apartment elects to use the Door Monitor function, the package notification light will not flash on the apartment station since its new function will be as a door monitor active indicator. However, all other package notification methods will still be available.

When the door monitoring is enabled in an apartment, the resident, on entering, will have an editor configurable time (default is 45 seconds) to enter in their personal code to disarm the monitor. If the proper code is not entered within this time, the concierge(s) will be notified by a popup emergency call with audio alert identifying the apartment and tenant information. The concierge can then place a call to the apartment to determine if there is a problem. You may wish to enter a prearranged "password" in the tenant's emergency notes (which will show when the alert pops up) to verify the tenant's identity when calling up to the apartment.

Door Monitor Setup in Editor

In the AlphaEntry editor, select the entry/master that has the STR Translator connected to it.

Click on the STR tab, then click on the button "Setup S1, S2 and Button Inputs". Select the S1 or S2 Input tab that you will be using. This is a global setting for all S1 or S2 inputs.

In the Setup tab enter a *description* for the concierge alert such as "Apartment Door Monitor".

In the *Type of contact closure* field select "Door Monitor" from the drop down menu.

If a normally closed type of door switch is used, check the box to the right. If the door switch is a normally open type, leave the box unchecked.

Recommended settings: *Delay before activation:* leave blank, *Turn on Audio:* Yes, *Log Input:* Yes

In the Display tab select Yes on the *Display On-Screen* drop down menu, and Emergency notes in the *Display Notes* box.



The length of delay before activation is set in the STR tab of the main editor screen and has a default value of 45 seconds.



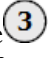

Tenant Personal Code

To set a tenant personal code, Click the Directory button in the upper left corner of the main Editor Screen. Select the tenant from the list on the left, and click the "Door Monitor" tab.

Enter a code of 1-8 characters consisting of numbers 1 and 2 (video units can also use 3 and 4). An example might be "12122" or "222". Once the code is entered the code is hidden behind 8 asterisks for security reasons. If a tenant forgets their number, you must reenter a new code here. There is no way to see the code after entry.

Tenant Operation

To activate the door monitoring from the apartment station, hold down the  button for three seconds until the red light behind the  switch flashes to indicate the system is active. The system is now set. If the tenant is leaving the apartment, the door must be open and shut within the predetermined delay time.

To deactivate the door monitoring from the apartment station, enter the personal combination code using the  and  buttons (also the  and  buttons with the VFSE1500 video stations) within the predetermined delay time. If a mistake is made, start your code sequence again and the system will disregard your previous entries.

Concierge option to enable monitoring in an apartment

If a tenant comes down and has forgotten to activate their door monitor, the concierge can activate it from his console. To enable this ability select the Options tab for the concierge station and check the box for ***“Apartment Door Monitoring can be Enabled from this Entry”***

Select the tenant from the main directory screen, when the call box appears there will be a key icon in the upper right side. A gray key indicates the system is not active and a gold key indicates it is active. Clicking on the key icon will turn it gold, indicating that the monitor is now active. The concierge can not disarm the monitor remotely but he does have the ability to temporarily shunt it for a length of time.

Concierge option to shunt monitoring in an apartment

If work needs to be done in a tenant’s apartment or if emergency access is needed, the concierge will be able to shunt the door monitor for a selected length of time.

NOT ACTIVE	ACTIVE	SHUNTED
		

Select the tenant from the main directory screen, when the call box appears there will be a key icon in the upper right side. A gray key indicates the system is not active and a gold key indicates it is active. If the key is gold, indicating that the system is currently active, clicking on the key icon will cause a drop down box to appear to select the length of time you wish to shunt the apartment. The concierge must enter his password for this function which is recorded in the system log for security purposes. When the apartment is shunted the key will turn red. The system will automatically restore to active status when the time is up. The concierge can restore active status earlier by clicking on the key icon and clicking yes on the pop up “cancel shunt?” box. The key will then change to gold indicating active status.

Premium option for residents

With the optional premium package, tenants can change their personal code online through their AlphaEntry™ web portal.

AlphaEntry™ Wiring Diagrams

Wiring of AlphaEntry™ systems vary depending on application so these wiring diagram examples have been included to insure proper connections and ease of installation. Once the determination has been made on specific facility requirements, please refer to the appropriate diagram(s) in this section.

Please remember that facilities using multiple entrances/masters may likely require several different wiring configurations depending on the functions and capabilities required at each entrance/master.

			PAGE
Lobby Panel	Handset	Standard Dialer	71
		Standard Dialer w/ N.P.S.	72
		No Phone Bill	73
		No Phone Bill w/ Outside Dialing	74
	Open Voice	Standard Dialer	75
		Standard Dialer w/ N.P.S.	76
		No Phone Bill	77
		No Phone Bill w/ Outside Dialing	78
Concierge	Handset		
		Standard Dialer – Unrestricted Outside Dialing.	79
		Standard Dialer – Limited Outside Dialing	79
		Standard Dialer w/ N.P.S.	79
		No Phone Bill - Unrestricted Outside Dialing	80
		No Phone Bill - Limited Outside Dialing	80
	Open Voice	Information on Open Voice Configurations	80
QwikBUS™ Diagrams			
		Basic AlphaEntry™ QwikBUS™ Wiring	81
		QwikBUS™ Typical Apartment Wiring	82

N.P.S. = No Phone Service (Dummy Phone Options)

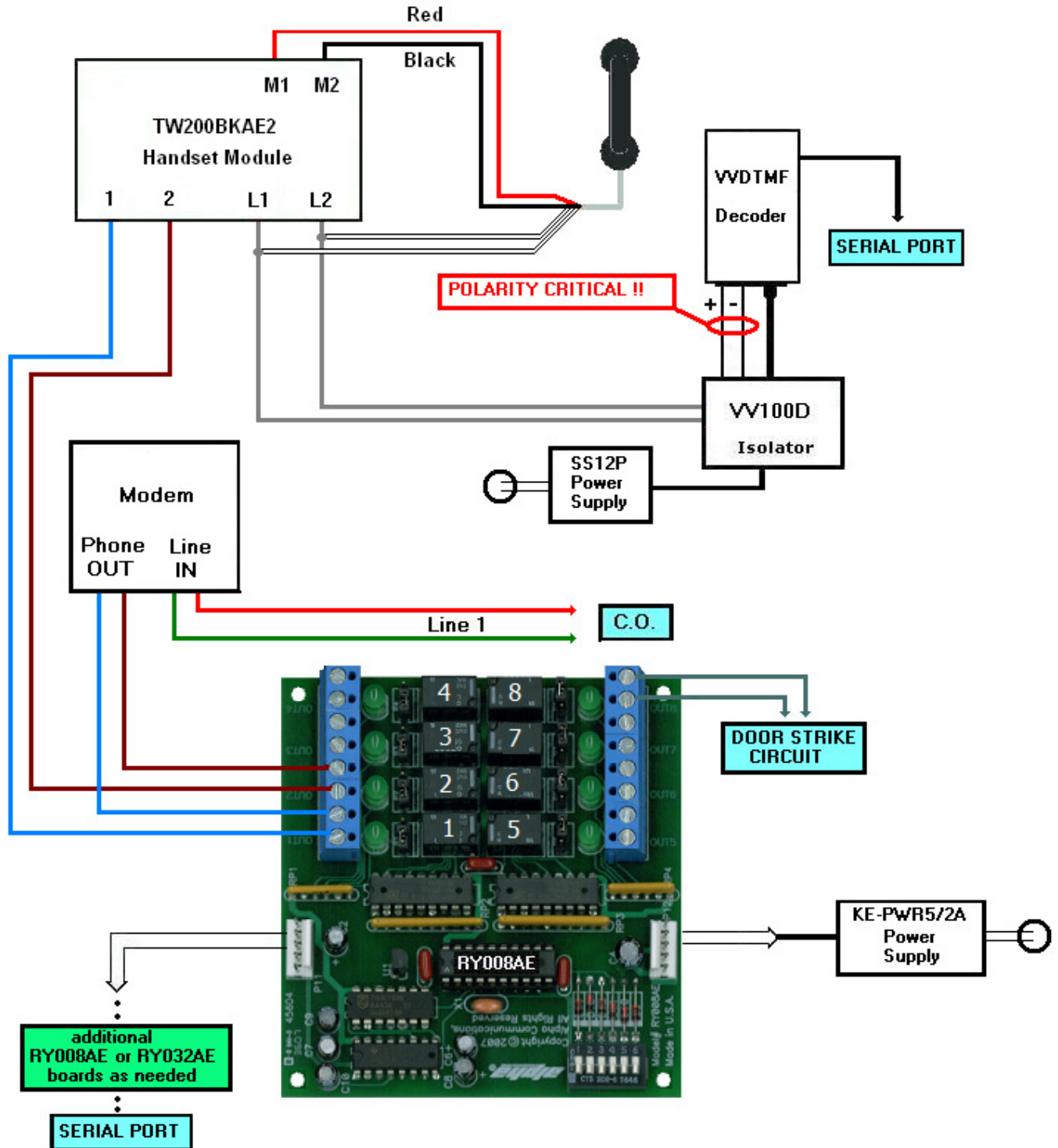
O.D. = Outside Dialing (connectivity to a dedicated telephone line)

Assistance on additional information or custom requirements can be obtained from:

Alpha Communications
 Technical Support
 Monday through Friday
 8:30am – 5:00 pm Eastern Time
 1 (800) 666-4800

Lobby Panel w/Handset - Std. Dialer

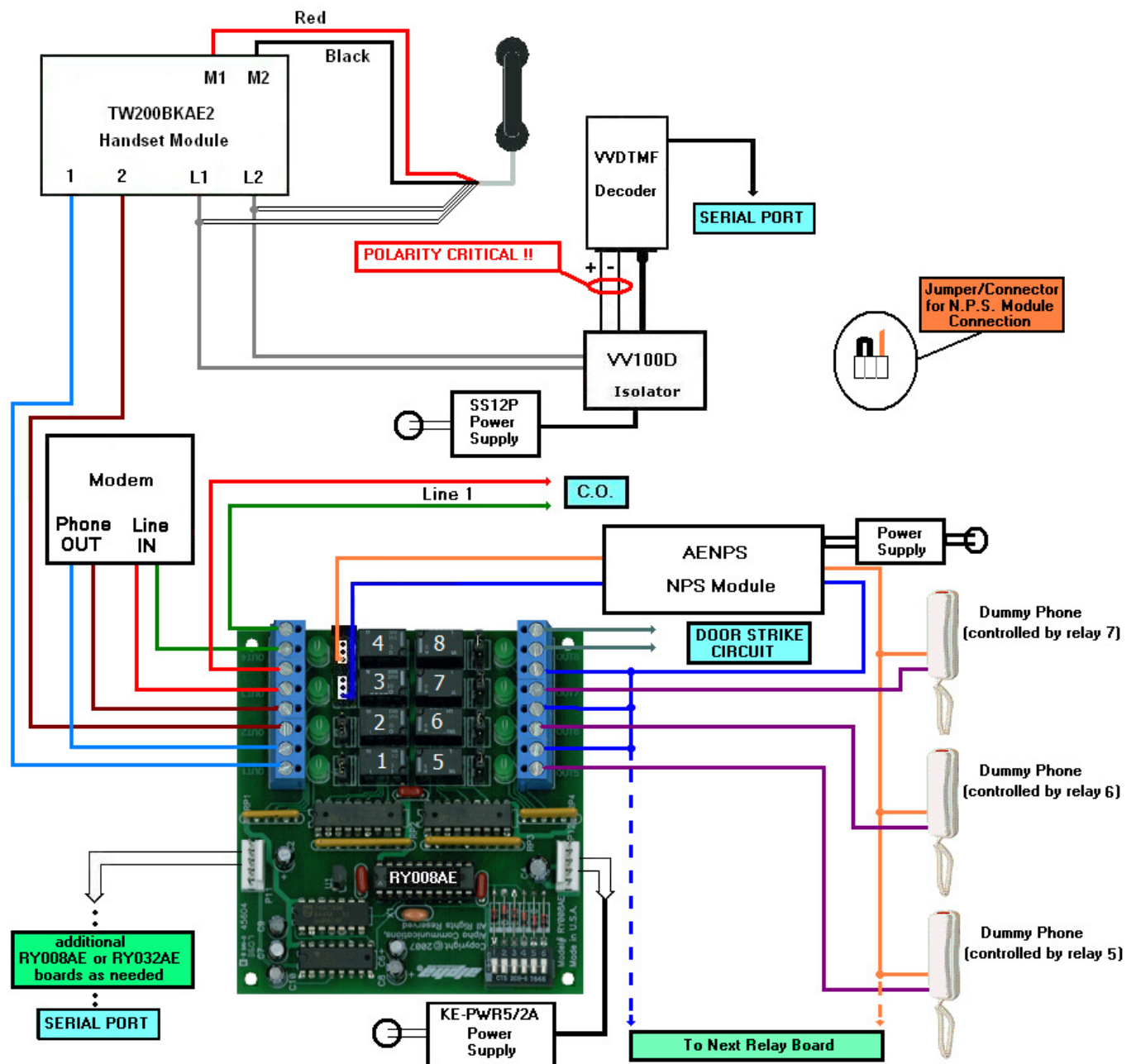
When installing a handset for use with an AlphaEntry™ lobby panel use this wiring guide to properly attach the handset and control unit to the RY008AE Board.



Lobby Panel w/Handset - Std. Dialer w/ N.P.S.* Option

When installing a handset on an AlphaEntry™ lobby panel or concierge system, use this wiring guide to properly attach the handset and control unit to the RY008AE Board.

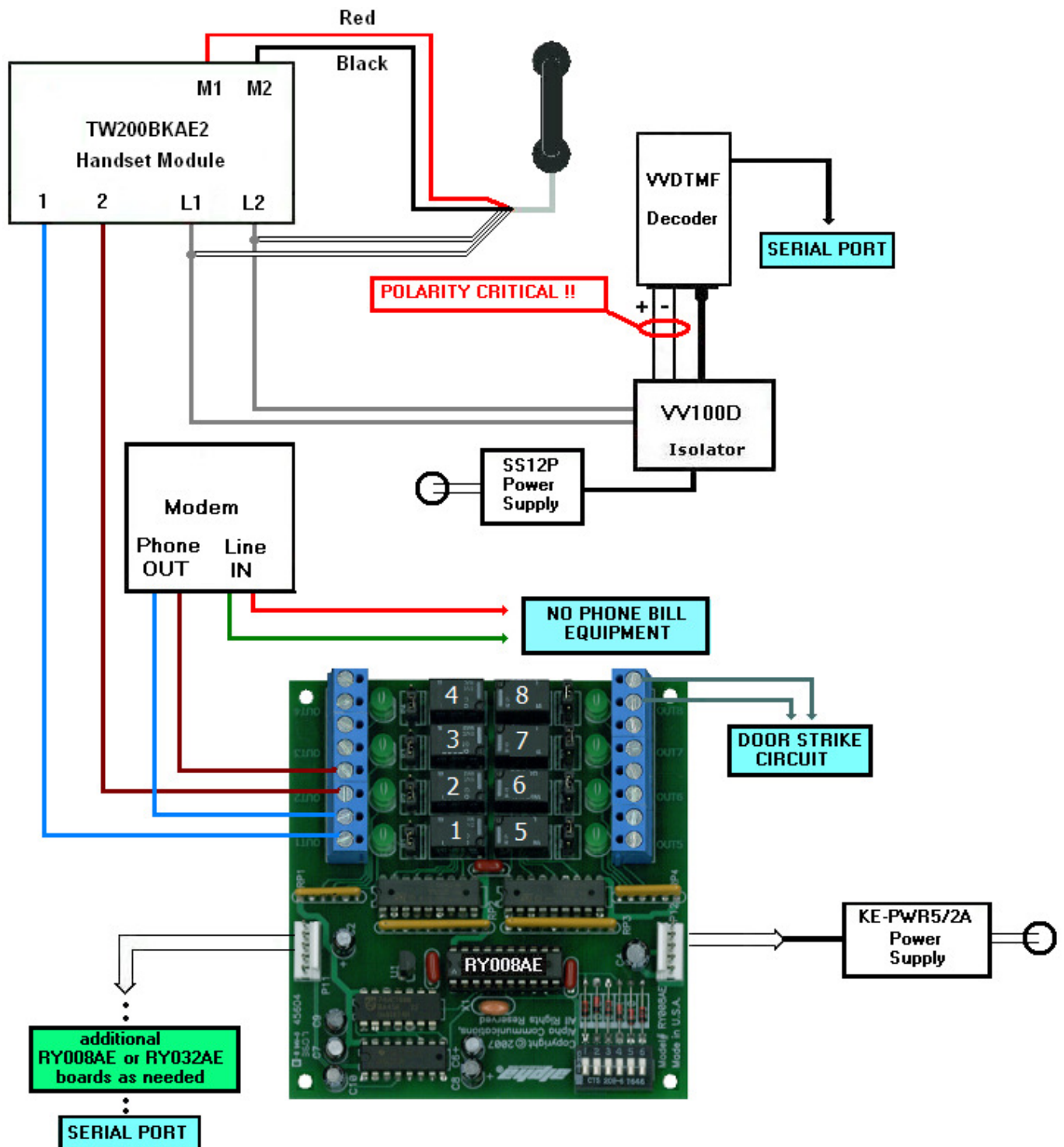
Additional RY008AE boards are added as needed for No Phone Service residents. One board controls eight Dummy Phones. Spare relays on the first board can be used as well to control dummy phones if they are not needed for other controls/functions.



* No Phone Service

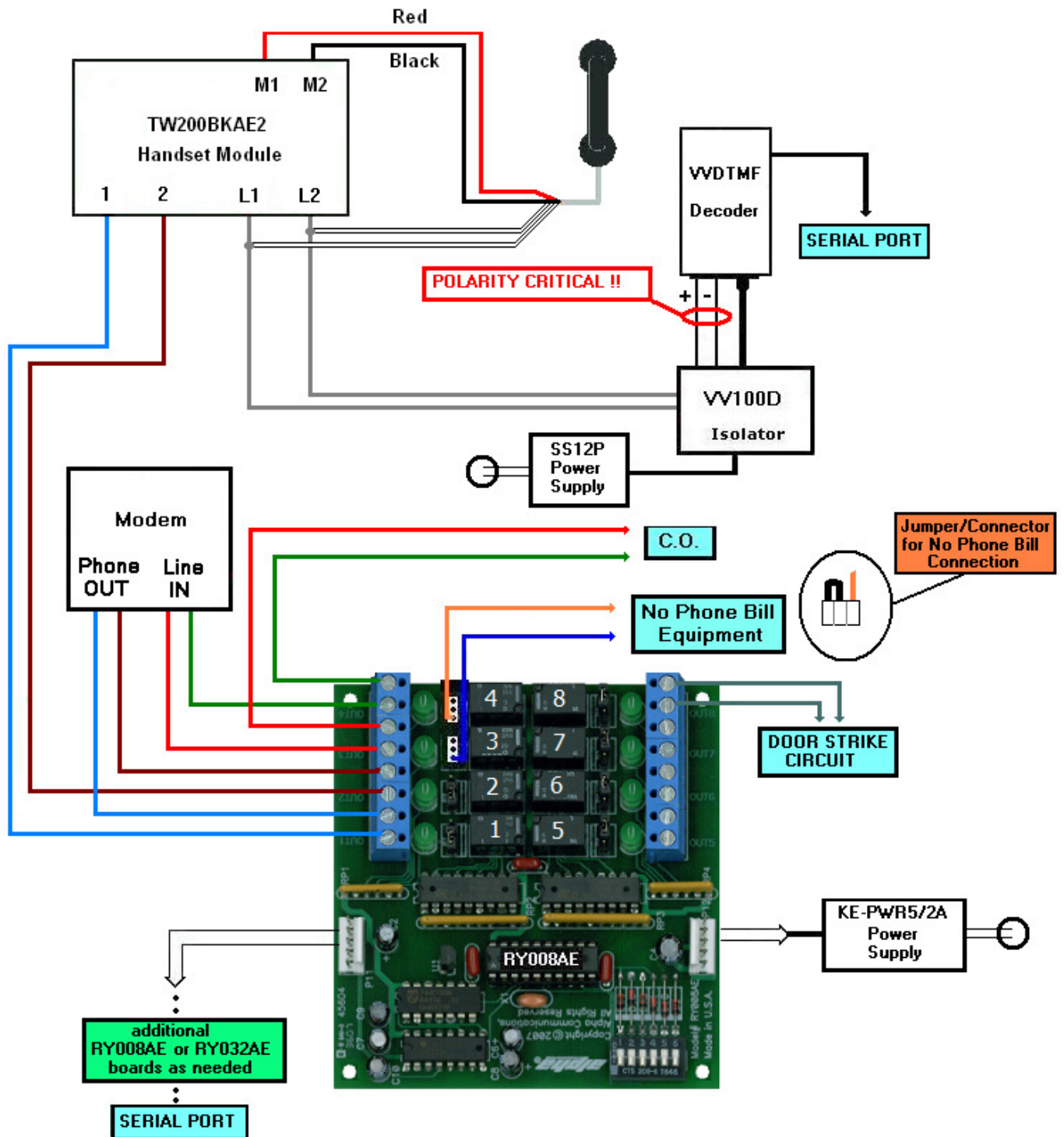
Lobby Panel w/Handset – No Phone Bill

When installing a handset for use with an AlphaEntry™ lobby panel use this wiring guide to properly attach the handset and control unit to the RY008AE Board.



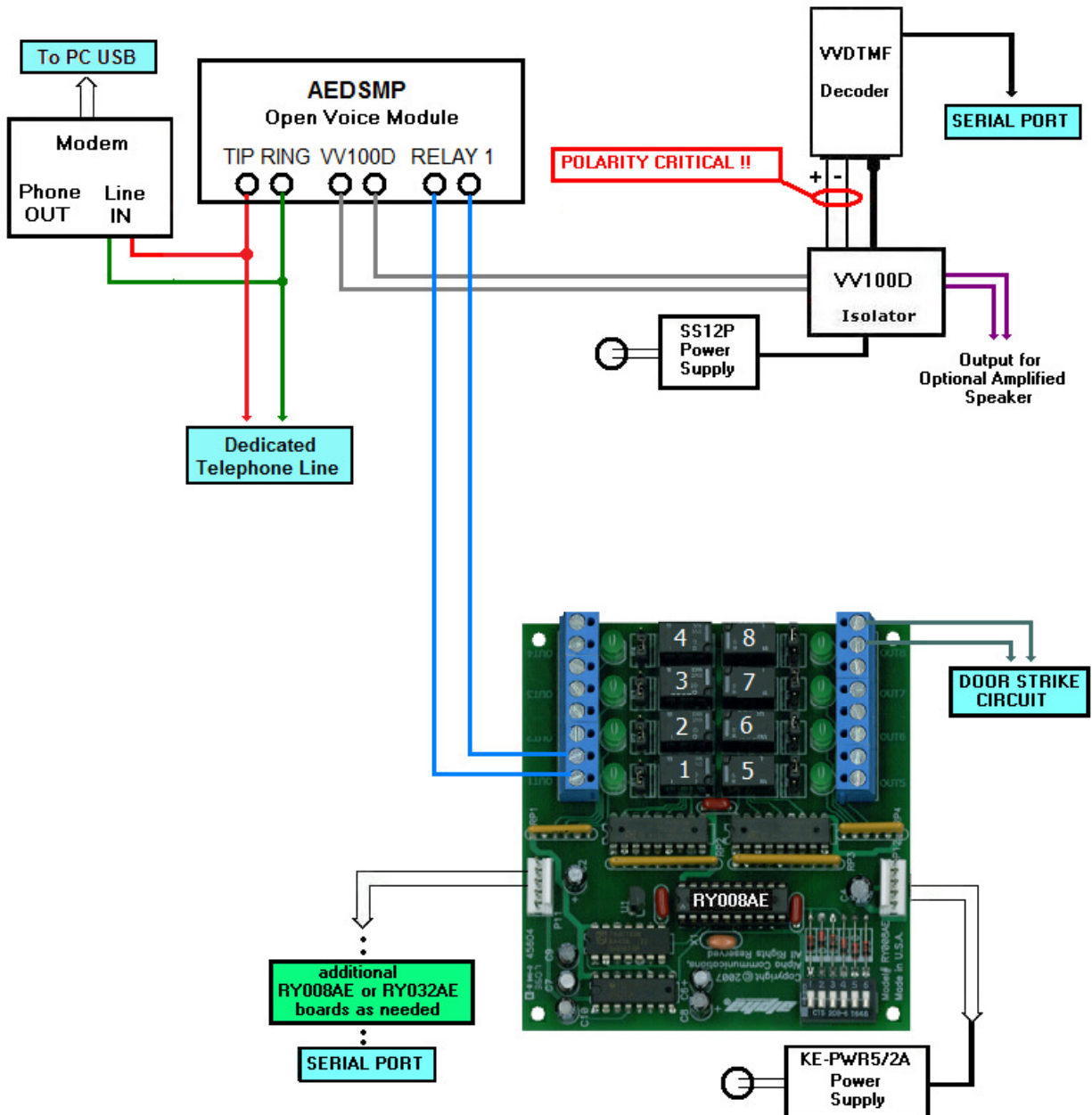
Lobby Panel w/Handset No Phone Bill w/Outside Dialing Capability

When installing a handset for use with an AlphaEntry™ lobby panel, use this wiring guide to properly attach the handset and control unit to the RY008AE Board.



Lobby Panel w/Open Voice - Std. Dialer

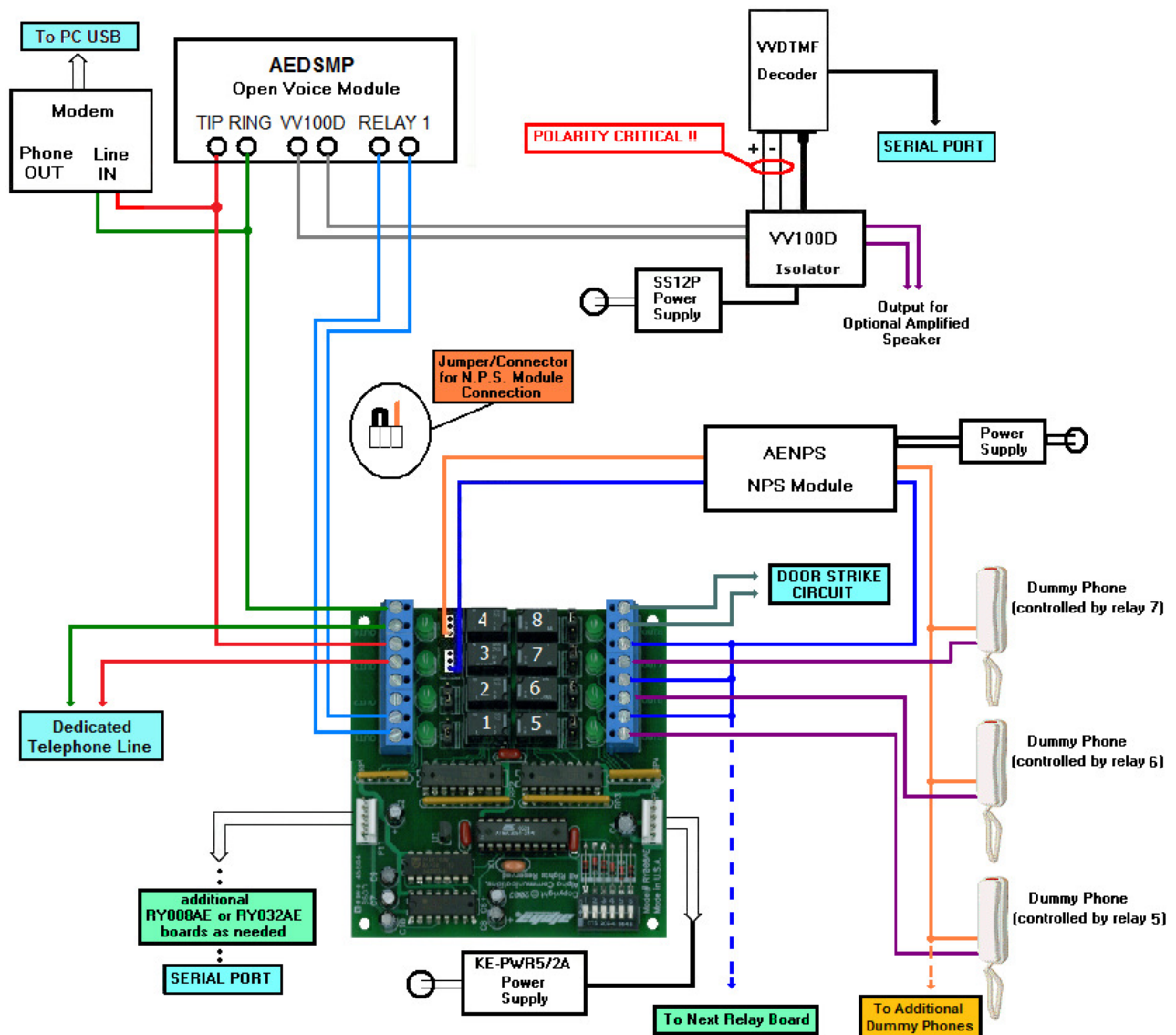
When installing an AEDSMP open voice module on an AlphaEntry™ lobby panel, use this wiring guide to properly attach the module to the RY008AE Board and the VVDTMF/VV100D decoder. Note that the incoming dedicated telephone line connects to both the computer modem Line IN and the AEDSMP module.



Lobby Panel w/Open Voice - Std. Dialer w/ N.P.S.* Option

This wiring diagram shows the proper hookup when connecting No Phone Service dummy phones to AlphaEntry™. There may be 2 to 4 relays available for dummy phones on the existing RY008A (Board #1). Each dummy phone requires one relay. Up to 15 additional RY008A boards can be chained on the same serial/power cable.

(15 x 8 = 120 maximum + available relays on Board #1)

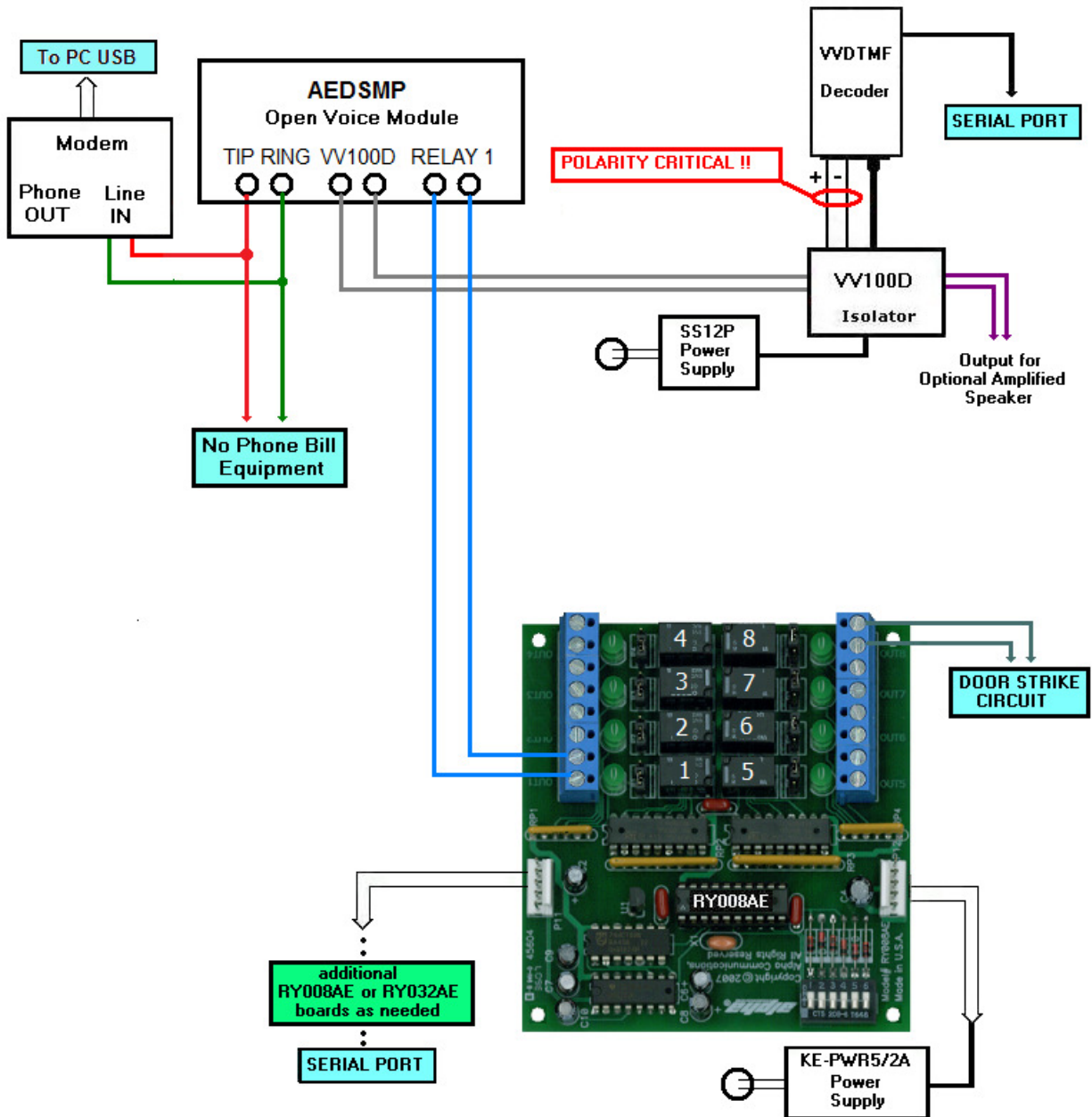


* N.P.S. = No Phone Service

Lobby Panel w/Open Voice – No Phone Bill

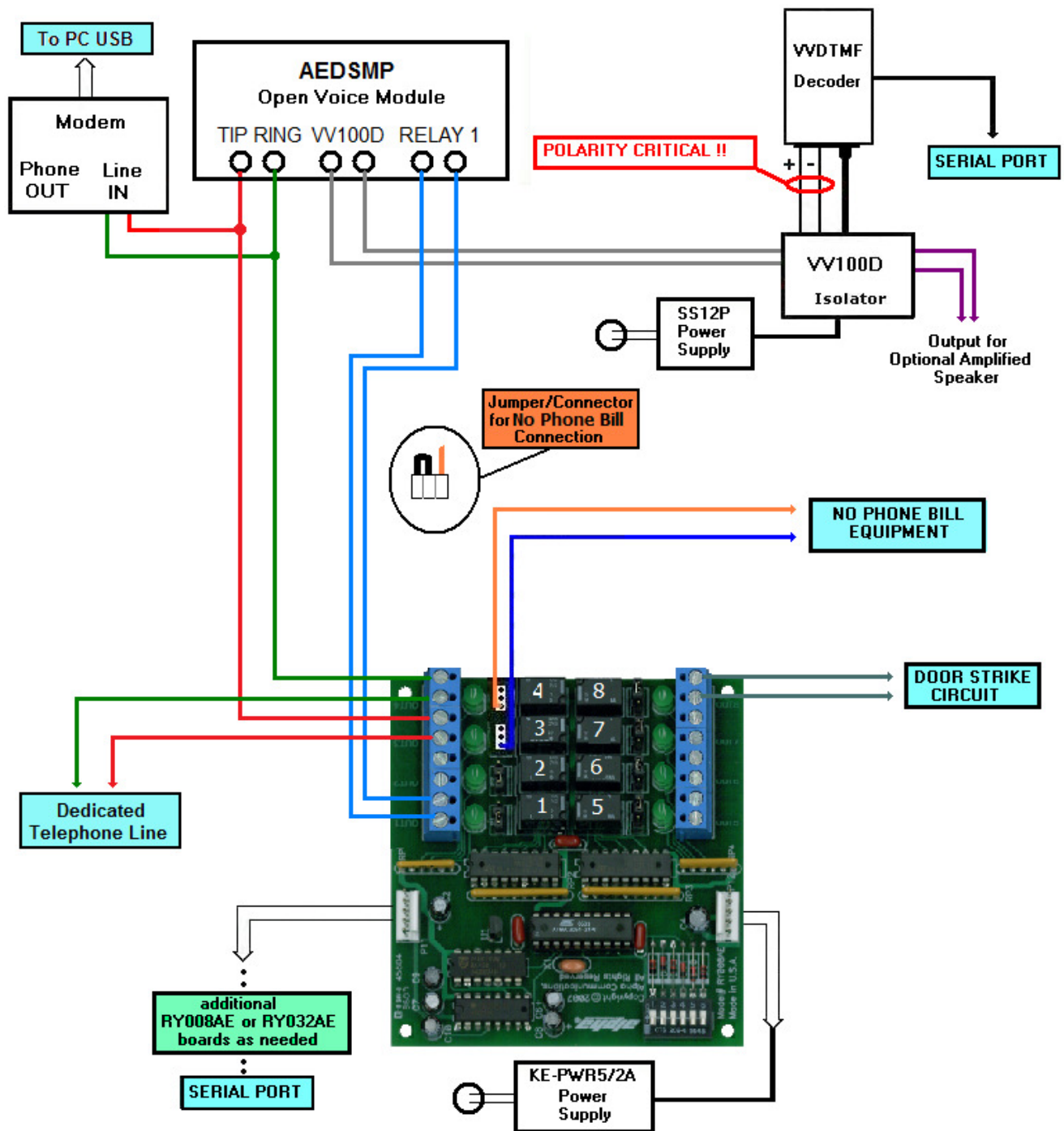
When installing an AEDSMP open voice module on an AlphaEntry™ lobby panel, use this wiring guide to properly attach the module to the RY008AE Board and the VVDTMF/ VV100D decoder.

Note that the incoming No Phone Bill equipment telephone line connects to the computer's modem Line IN as well as the AEDSMP tip and ring connections.

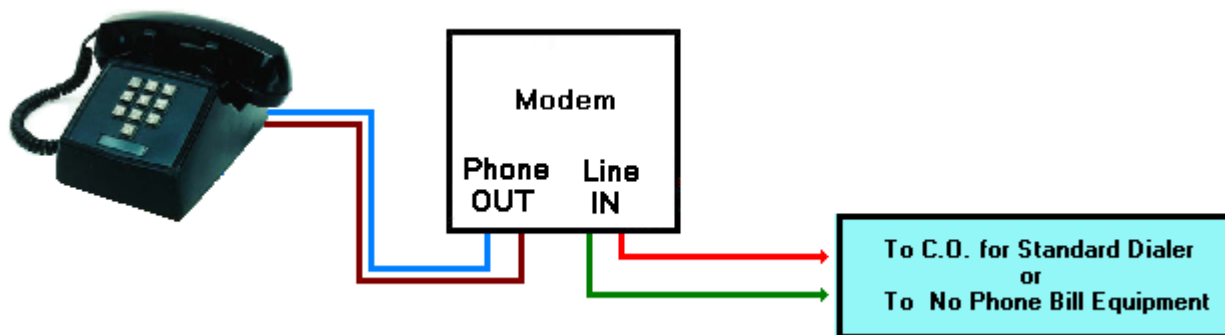


Lobby Open Voice - No Phone Bill w/ Outside Dialing Capability

This wiring diagram shows the proper hookup when connecting AlphaEntry™ to an in building No Phone Bill system. In this configuration, calls can be made through either No Phone Bill equipment or a dedicated telephone company line. The programming of the system restricts outgoing calls.



Concierge Handset Installations



STANDARD DIALER CONFIGURATION –Unrestricted Outside Dialing

If AlphaEntry™ will be used by a concierge, the Standard Dialer configuration allows the concierge outside phone call capabilities as well as calls placed through AlphaEntry™ by simply dialing from the attached telephone. The RY008AE Relay Board may not be required for this application unless door release or switch console options will be used.

Calls placed to the concierge on this phone line will show up on the AlphaEntry™ display as incoming calls. If the C.O. line has optional Caller ID capabilities then QwikID™ will display the incoming phone number. If the calling phone is contained in the AlphaEntry™ database, the Name and Suite number provided in the contact's record would be displayed only. For more information on QwikID™ refer to Page 7.

STANDARD DIALER CONFIGURATION – Limited Outside Dialing

If the concierge is not to be allowed outside dialing **except** for phone numbers listed in the AlphaEntry™ database, please contact Alpha Communications, 1-800-666-4800, to discuss the options that would be best suited to your application.

STANDARD DIALER CONFIGURATION – w/ N.P.S. option

If the concierge is not to be allowed outside dialing **except** for phone numbers listed in the AlphaEntry™ database, then the *Lobby Panel w/Handset - Std. Dialer w/ N.P.S.* method on Page 59 is recommended. This will allow communication with all contacts listed in AlphaEntry™ including dummy phones for residents with No Phone Service.

A conventional Phone may be used instead of the Alpha handset but will still be controlled (to prevent unauthorized dialing) by AlphaEntry™ if connected to the wires going to the TW200BKAE2 handset from relays 1 & 2. If the concierge requires unrestricted outside dialing then connect the conventional phone to the Phone OUT jack of the modem. This would also allow incoming calls to the concierge (ring down).

Please note that the RY008AE Relay Board would be required for this application.

NO PHONE BILL CONFIGURATION – w/ Unlimited Outside Dialing

If the concierge is allowed to dial out to any number as well as phone numbers listed in the AlphaEntry™ database, then the *Lobby Panel w/Handset – No Phone Bill w/ Outside Dialing Capability* method on Page 61 is recommended.

Modifications to this wiring for concierge use would be to disregard wiring to relays 1 and 2 and connect the concierge full feature telephone to the Phone OUT jack of the modem. This would allow regular use of the C.O. Line without intervention from AlphaEntry™ unless a No Phone Bill call is made at which point AlphaEntry™ would take command of the phone. Ring down to the concierge would be available by the residents regular telephone dialing to the concierge's telephone number. A dedicated C.O. Phone line is required for this configuration.

The RY008AE Relay Board is required for this application

NO PHONE BILL CONFIGURATION – w/ Regulated Outside Dialing

If the concierge is not to be allowed outside dialing except for phone numbers listed in the AlphaEntry™ database, then the *Lobby Panel w/Handset – No Phone Bill w/ Outside Dialing Capability* method on Page 61 is recommended. A dedicated C.O. Phone line is required for this configuration.

If ring down to the concierge is needed, then a separate phone without dialing capabilities would be hooked to the incoming C.O. Lines before the RY008AE board.

The RY008AE Relay Board is required for this application.

Concierge Stations with Open Voice Configurations

In the event of a Doorman or Concierge station that requires Open Voice configuration, please refer to the wiring diagrams for Lobby Panels in the desired format. All Concierge functions can be easily configured into the station by the software. Although outside dialing through AlphaEntry™ is easily accomplished, unrestricted outside dialing would only be available through a standard telephone connected into the system and controlled through the Switch Console. For more information on this or other possible configurations please contact:

Alpha Communications – Technical Support
Monday through Friday 8:30 am – 5:00 pm Eastern Time

1 (800) 666-4800

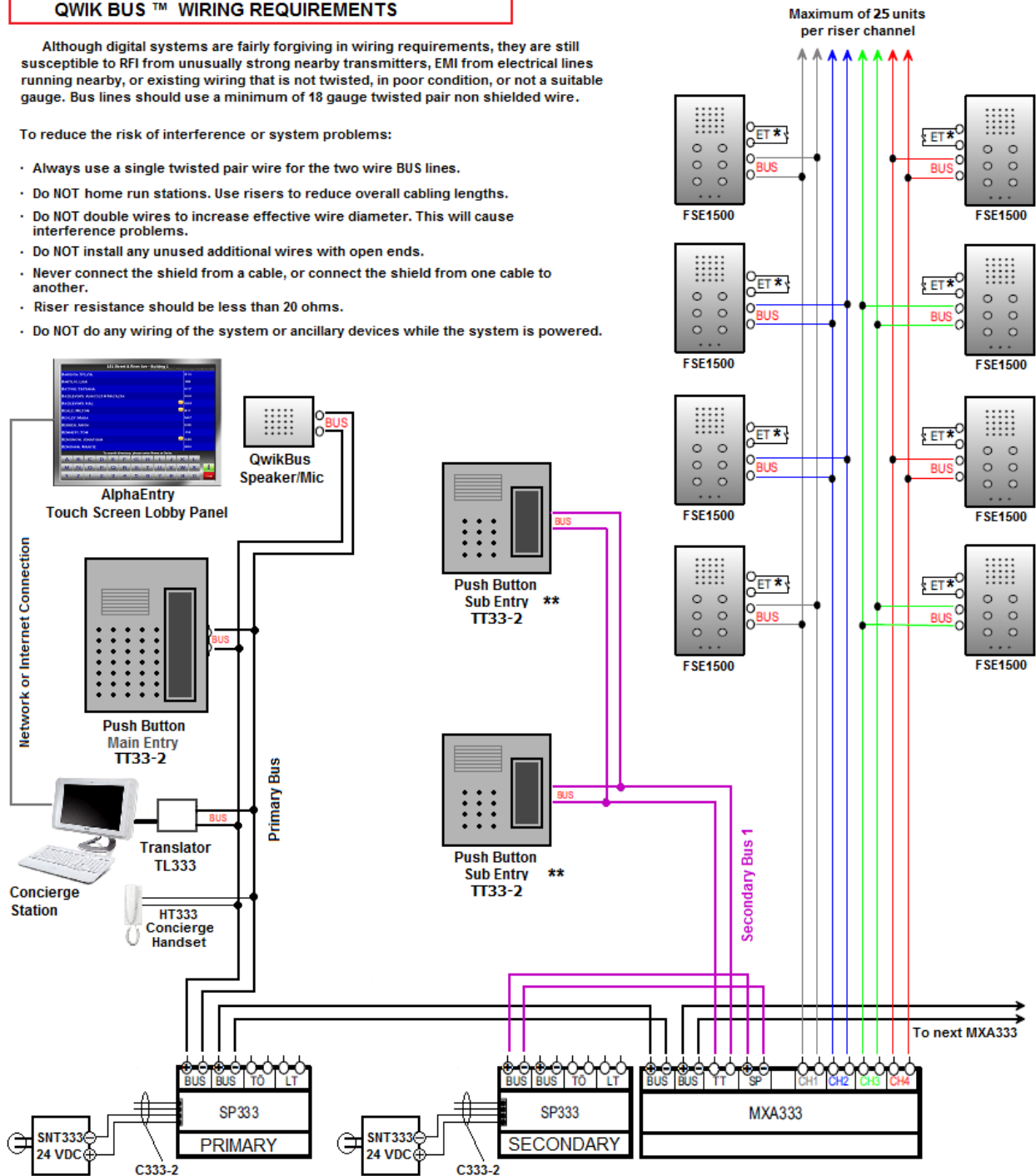
Basic AlphaEntry™ QwikBus™ Wiring Diagram

QWIK BUS™ WIRING REQUIREMENTS

Although digital systems are fairly forgiving in wiring requirements, they are still susceptible to RFI from unusually strong nearby transmitters, EMI from electrical lines running nearby, or existing wiring that is not twisted, in poor condition, or not a suitable gauge. Bus lines should use a minimum of 18 gauge twisted pair non shielded wire.

To reduce the risk of interference or system problems:

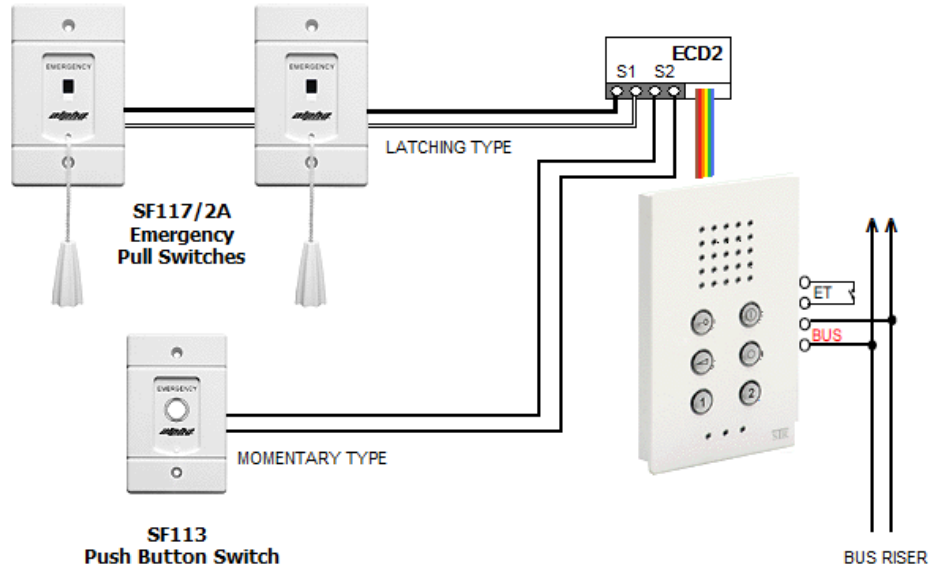
- Always use a single twisted pair wire for the two wire BUS lines.
- Do NOT home run stations. Use risers to reduce overall cabling lengths.
- Do NOT double wires to increase effective wire diameter. This will cause interference problems.
- Do NOT install any unused additional wires with open ends.
- Never connect the shield from a cable, or connect the shield from one cable to another.
- Riser resistance should be less than 20 ohms.
- Do NOT do any wiring of the system or ancillary devices while the system is powered.



★ ET terminals are used to connect an outside apartment door bell button, to make a distinct ring to the FSE1500, indicating a visitor at the door.

★★ Secondary Bus Entry Panels can only contact apartments on the same Secondary Bus.

Typical Apartment wiring for adding devices through an ECD2 Input Harness



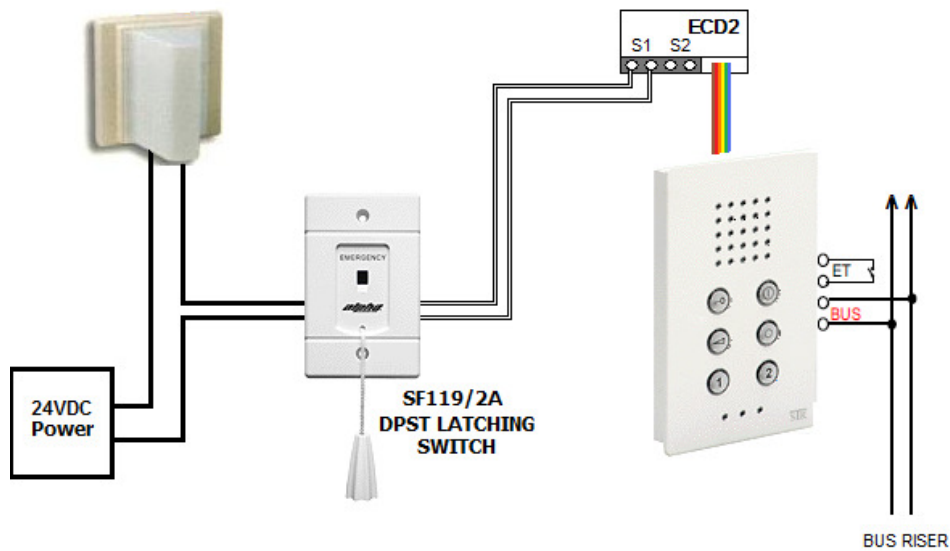
In this example, the S1 has been globally set for latching contacts and the S2 has been globally set for momentary contacts.

Devices can be:

- Pull Cords
- Push Buttons
- Motion Sensors
- Light Sensors
- Wireless Pendant Receivers
- Door or Window Contacts
- Smoke Detectors*
- Limit Switches
- Isolation Relays

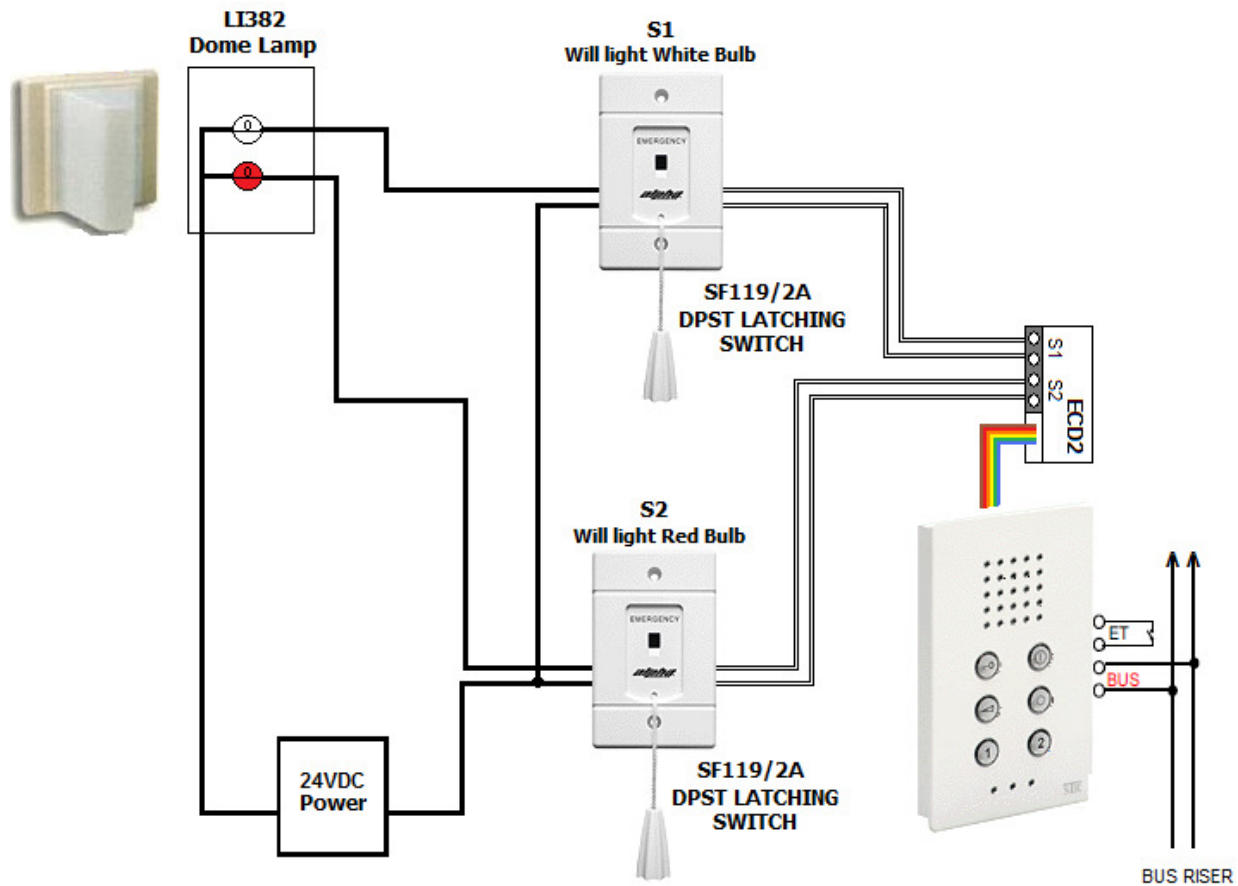
All devices must be dry contact devices. Voltage producing signals can be used with a suitable isolation relay.

* The QwikBUS™ system used with smoke and/or heat detectors is not an approved fire alarm system. It is only intended as a secondary notification device.



This diagram illustrates using a Double Pole Single Throw Emergency Switch (SF119/2A) to close the S1 contact on one side to send the emergency call, and also closes the connection between a dome light (LI381) and its 24-volt DC power source to turn on the light.

Note: DC power for auxiliary devices such as dome lights is recommended to minimize the risk of electrical magnetic interference with the QwikBUS™ system.



This is an illustration of wiring a two-bulb Dome Light (**LI382**) to differentiate between an S1 device being actuated (lighting the white bulb in this example), and an S2 device being actuated (lighting the red bulb). One side of the double pole switch closes the connection between the S1 or S2 input, and the other side completes the circuit to the respective bulb.

Other wiring methods can allow you to operate multi color dome lights denoting specific devices or locations regardless of them triggering the S1 or the S2 alarm. Please note that when using a device to illuminate a dome light, the devices must be latching. A momentary device will only illuminate the light for the time of the switch closure unless additional electronics are included to “latch” the momentary closure.

Appendix A

Creating Your Own Custom Graphics

AlphaEntry™ allows you to add your own graphics as a background for your Welcome Screen.

Whether you want pictures of your building, a neighborhood map, a text message announcing an event, rental information telephone numbers, advertising, or other ideas you may have, this can be done quite easily following these guidelines.

A picture size of 1024 by 768 pixels or 800 by 600 pixels will fill the screen nicely and is the best size for the display. AlphaEntry™ 3.1 features automatic scaling of pictures for both 4:3 standard and 16:9 wide screen format monitors making slideshow designing and maintenance even simpler. If the size you have chosen is not these exact dimensions, the image will be automatically adjusted for best fit to your screen resolution.

When your pictures have been properly formatted, save them to the SlideShowPics Folder. The graphics file default location is **C:\Program Files\AlphaEntry\SlideShowPics**.

If your “**Welcome Screen is a slide show**” box is checked, all the images in that folder will rotate in alphabetical order. If it is not checked only the picture that is first in the folder alphabetically will be displayed.

You may wish to move images that you do not want to show into a new folder such as: C:\Program Files\AlphaEntry\SavedPics

Image files with .bmp, .jpg, or .gif extensions can be used.

Use these same rules to create your scheduled welcome screens for holidays, events, or announcements and then save them to **C:\Program Files\AlphaEntry\SchedulePics**.

When scheduled screens are used it will automatically suspend the slideshow during the date range associated with the scheduled screen.

Appendix B

The Event Log Viewer

Any activity on AlphaEntry™ creates a date/time stamp and stores it in the system event log. The contact and event information is also saved at this time as you can see in the screenshot below. If a camera is connected to an entry it will also save a still frame taken during any visitor initiated session or resident entry access attempt.

If AlphaEntry™ MailRoom™ is an installed option, package delivery and resident pick-up times will also be logged and viewable here.



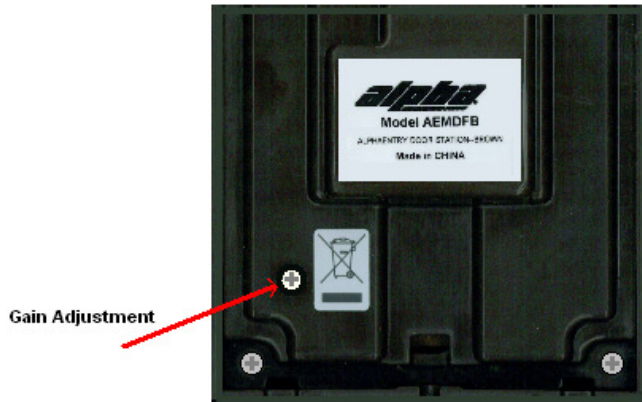
The Event Log Viewer is a separate software application that can be installed in any computer that has the ability to access the server, to enable authorized persons to view the calls placed at all entries. If an entry is equipped with a connected camera, still shots of all visitors will also be included.

The Event Log Viewer software does not require a Dongle for operation, which would enable a security guards PC to monitor real time, or review previous, entry activities. When an event is highlighted in red it indicates a failed access attempt. If an event with a still picture is selected, the picture will display to the right of the log viewer in a larger format. Events are displayed in time order and filtered by date. The count indicator displays the amount of events recorded on the particular date.

Appendix C

Speaker/Mic Module Adjustments

**AEMDFB (Open Voice Style)
TW200BKAE (Handset Style)**



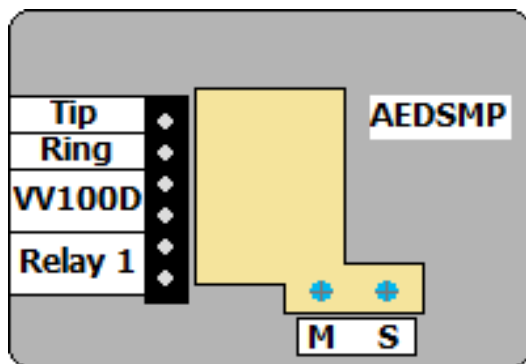
Back View

There is a gain control on the back of this unit in the bottom left corner that can be adjusted with a small screwdriver.

If the volume is too low turn the screw clockwise, if the volume is too high or if you hear a pulsing volume level turn the screw counterclockwise until the pulsing stops.

The pulsing is caused by the switching of the VOX electronics between speaking and listening and when the gain is set too high, the mic will hear the speaker and cut back and then not hear the speaker and raise the level causing the pulsing. Because the acoustic and ambient noise of each installation is different this “threshold level” will usually need to be adjusted for optimal operation.

AEDSMP Style



Back View

The AEDSMP is used as an Open Voice Speaker/ Mic assembly and has two user adjustable controls.

The first, marked “M” is used to increase microphone sensitivity. In a loud environment, turning this counterclockwise will help to minimize background noise and make speech clearer. In quieter surroundings, turning it clockwise will increase mic volume level.

The second, marked “S” will increase the lobby speaker volume by turning the adjustment clockwise.

Both of these adjustments are very sensitive and should be adjusted only if needed in different environments.

Appendix D

Accessing the AlphaEntry™ SQL Server Database Remotely

If the computer that contains your AlphaEntry™ database has Internet access, you can allow your database to be accessed remotely. This is useful for updating the AlphaEntry™ database with new resident information, for allowing multiple entries to connect to a database from outside of your local network, or for viewing the logs from a remote location.

To setup your network so you can access your SQL Server database from the Internet through you need to have the following:

- 1) A network that has a public IP address that you can use on the Internet
- 2) Access to go into your firewall/router settings

Whenever you try to connect to your AlphaEntry™ database from any location on the Internet you will need to enter your public IP address in the database login screen. If you do not know what your public IP address is just go to the computer that you have your database on and open up the following URL: <http://www.alphamedia.net/cgi-bin2/ip.exe>

NOTE: There is a difference between the IP address that you use to connect to your database on your local network and the public IP address that you need to use on the Internet. If you try to login to your database from the Internet (outside of your local network) with the IP address you use on your local network, it will not work.

Once you know what your public IP address is, you will then need to go into your firewall/router that you have your database behind and setup port forwarding. Basically what needs to be done is any traffic that comes into your firewall/router on port 1433 (the default port number used by the SQL Server) needs to be forwarded to the local IP that you have your SQL Server database running on. For example, if the local IP address of your database is "192.168.1.100", then in your firewall/router settings you will need to specify that any incoming traffic on port 1433 be forwarded to "192.168.1.100".

IMPORTANT: The machine that the SQL Server database is located on may also have its own personal firewall software on it for more security in addition to your hardware firewall. Please see Appendix F – Windows Firewall Exceptions.

Appendix E

Using AlphaEntry™ through a PBX system

If you are dialing through a PBX and need to dial a “9” before getting an outside line, you will need to make the following modifications in the Windows Registry.

Go to the folder:

HKEY_Current_User\Software\Alpha Media Inc.\AlphaEntry\par

In the right column click the right-mouse button and select New -> String Value.

Name it **prefix**, then double-click on it and change the value to 9.

This modification will automatically dial a 9 before all numbers dialed out from AlphaEntry.

Appendix F

Windows Firewall Exceptions

All versions of Microsoft Windows since XP (Service Pack 2) have a software firewall built into the operating system. Also, many different types of anti-virus packages have a software firewall in them that block any outside access to the computer.

To properly setup AlphaEntry you may need to configure the personal firewall software on a machine to allow network traffic for AlphaEntry to enter that machine. Normally these settings are listed in an area called "Exceptions" in the personal firewall.

If you are using multiple entries that share one database, or you need to remotely use the Editor or Log Viewer software, you will need to setup two exceptions for AlphaEntry, one for the SQL Server database file "sqlservr.exe", and a second for the AlphaEntry file "alphaentry.exe".

To setup these exceptions in the Windows Firewall please do the following:

- Go to the machine that you have your database installed on.
- Go into the Windows Control Panel.
- Then go into Windows Firewall.
- Click on the Exceptions tab.

- Click on the "Add Program..." button.
- Click on the "Browse..." button.
- Browse to the folder that AlphaEntry is installed in (normally, c:\Program Files\AlphaEntry\).
- Select the "AlphaEntry.exe" file and click "Open".
- Click OK in the Add a Program window.

- Click on the "Add Program..." button again.
- Click on the "Browse..." button.
- Browse to the folder that the Microsoft SQL Server software is installed in (C:\Program Files\Microsoft SQL Server\MSSQL.1\MSSQL\Bin\).
- Select the " sqlservr.exe " file and click "Open".
- Click OK in the Add a Program window.
- Click OK in the Windows Firewall window.

For specific instructions on how to set up exceptions in other types of software firewalls please see their instruction manual for details.